



# ***PREMIER* | *T RANGE***

**↳ MARCH 1995 → MARCH 2001**

## **PARTS CATALOGUE**

**855/30100/2**

**4/01**

Belle Engineering (Sheen) Ltd. Sheen, Nr Buxton, Derbyshire. SK17 0EU  
Telephone: +44 01298 84606 Fax: +44 01298 84722 Freephone Fax: 0800 136 679  
Parts & Service Telephone: +44 01298 84050 Parts & Service Fax: +44 01298 84901  
E-mail: [spares@belle-group.co.uk](mailto:spares@belle-group.co.uk)

# INTRODUCTION

The Company retains the right to make alterations to the design and specifications of the machine at any time, without notice. Also the company accepts no responsibility for any discrepancies, between machine specifications and descriptions contained within this publication. Liability for loss or damage resulting from the following statements inclusive of any/omissions cannot be accepted by the Company.

## INSTRUCTIONS FOR ORDERING PARTS

Due to the complex listing of parts available for your machine, may we recommend that the simple procedure below is followed at all times. In this way you will be assured of receiving the correct parts within a minimum period of time.

- Contact your nearest MIXER Dealer.
- Quote the serial numbers of both your machine and it's engine.
- Detail the part required, by item number and description, and also state the quantity you require.

### FOR YOUR FUTURE REFERENCE;

List relevant details below.

### YOUR LOCAL DISTRIBUTOR;

Name .....

Address .....

.....

.....

Post Code .....

Telephone .....

Fax .....

Machine Serial No. ....

Engine Serial No. ....

### SAFETY NOTICE

When ordering replacement parts to which safety decals were originally attached, the appropriate safety decals must be ordered and fitted.

# CONTENTS

1	Part Number Reference
A	Frame / Drums Assembly
B	Hand Wheel Assembly
C	Gearbox Assembly
C-01	Gearbox Assembly MARCH 95 - DEC 98
C-02	Gearbox Assembly JAN 99 - MARCH 01
D	Layshaft Assembly
E	Layshaft Pulley Assembly
F	Motor 110V 100T Assembly
G	Motor 110V / 415V 100T - 200T Assembly
H	Motor 220V / 240V Assembly
J	Engine Assembly
J-01	Engine Stop Assembly
K	Cover Assembly
L	Front Axle Assembly
M	Rear Axle Assembly
Z	Labels (English)

# PART NUMBER REFERENCE LIST <sup>1</sup>

## EXAMPLE

Item	Part Number	.....Quantity	..Description
1	.....		
2	.....		
3	.....		
4	.....		
5	.....		
6	.....		
7	.....		
8	.....		

## EXPLANATION

Item	Illustration reference number.
Part number	The items part number.
Quantity	Quantity required.
Description	Description of the part.
Remarks	See symbols and notes.

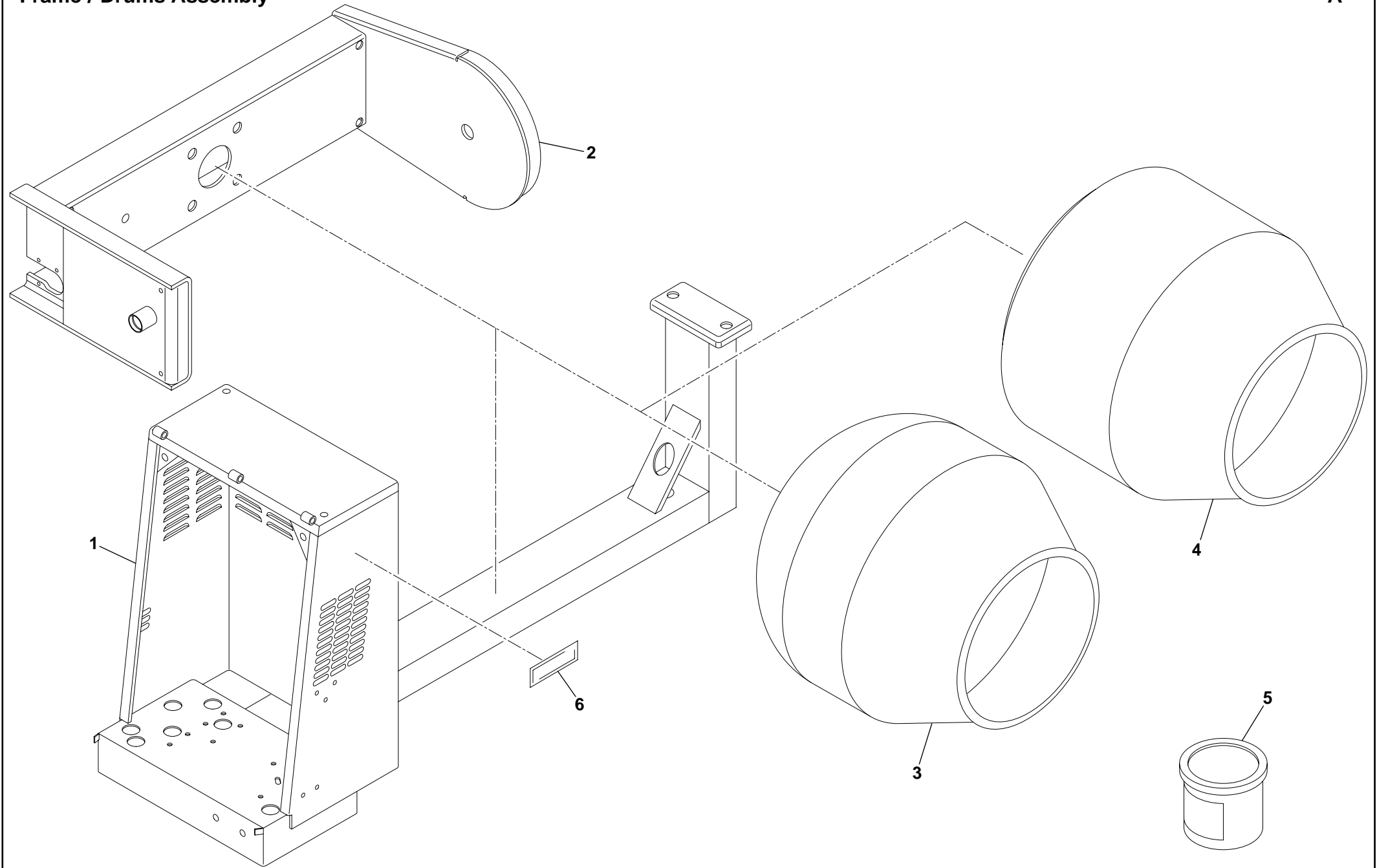
The quantity shown, is the quantity required for the particular application that is illustrated where these parts are components of an assembly, this refers to the quantity in one assembly or sub-assembly.

## SYMBOLS AND NOTES


- ↳ From serial number or engine number.
- | Upto serial number or engine number.
- Cancels and replaces.
- 👁 See page "Reference number".
- ⇒ Order.
- ▶ Right.
- ◀ Left.
- NS** Not sold.
- C** Cancel.
- CB** Consult Belle Engineering Parts Department.
- A/R As required.
- 🔧 Seal kit.

Frame / Drums Assembly

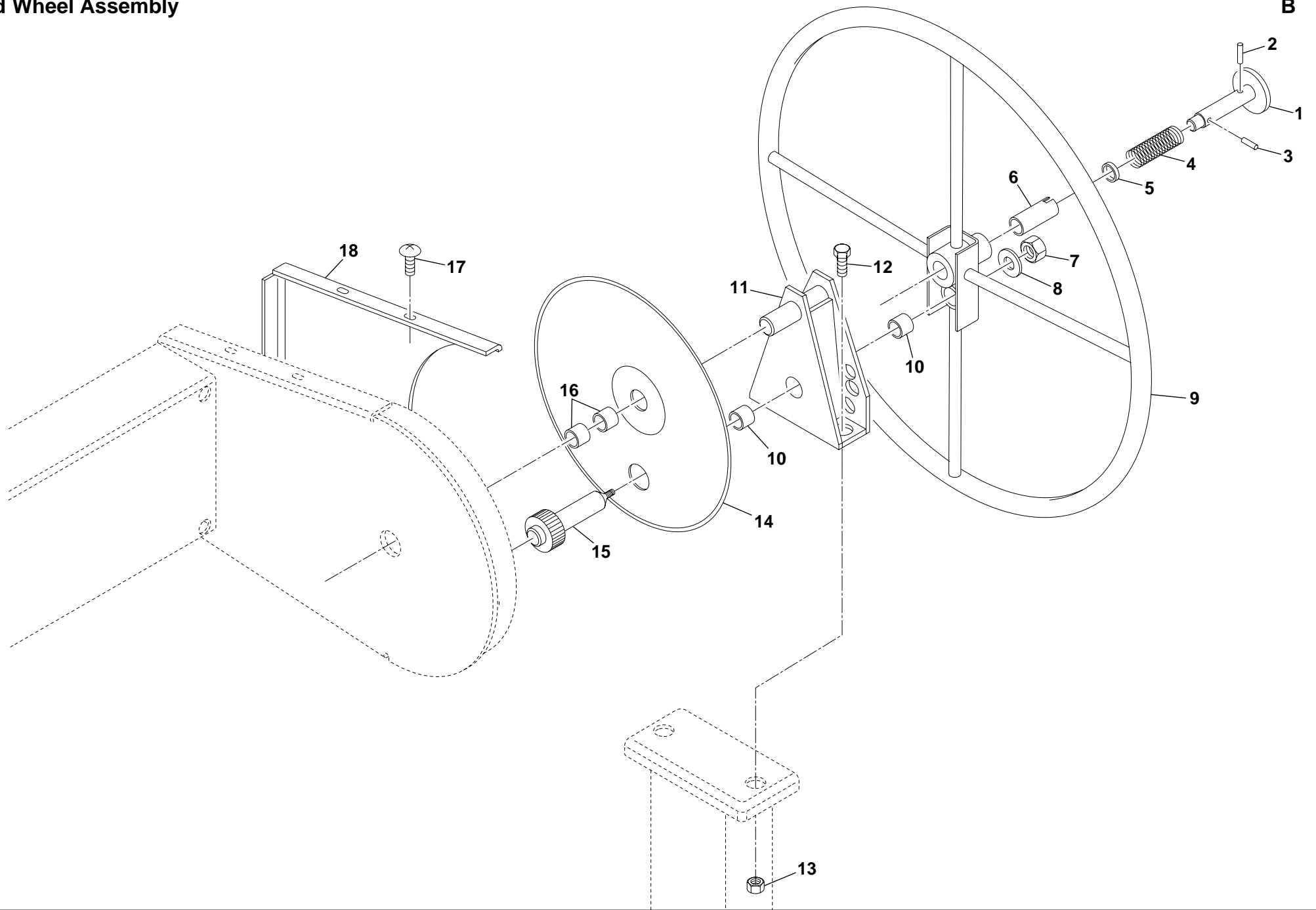
A



**Frame / Drums Assembly****A**

- 1 908-21500.....1 .....Frame (To Suit All Models) (MAR '95 - NOV '96)
- 908-21500.....1 .....Frame (To Suit 100/150/175T) (NOV '96 - MAR '01)
- 1A 908-23400.....1 .....Frame (To Suit 200T) (NOV '96 - MAR '01)
- 2 908-19600.....1 .....Yoke
  
- 3 908-22800.....1 .....Drum (To Suit 100T) (NOV '95 - MAR '01)
- 908-22802.....3 .....Drum Paddle (To Suit 3)
- 3A 908-22900.....1 .....Drum (To Suit 150T) (Upto MAR '01)
- 908-22902.....3 .....Drum Paddle (To Suit 3A)
- 3B 908-23000.....1 .....Drum (To Suit 175T) (Upto MAR '01)
- 908-23002.....3 .....Drum Paddle (To Suit 3B)
- 3C 908-23500.....1 .....Drum (To Suit 200T) (Upto MAR '01)
- 908-23501.....3 .....Drum Paddle (To Suit 3C)
  
- 4 PS052 .....1 .....Drum (To Suit 100T) (Pre MAR '95)
- 908-20405.....3 .....Drum Paddle (To Suit 100T) (MAR '95 - NOV '96)
- 4A SEE 3A .....1 .....Drum (To Suit 150T)
- 908-12602.....3 .....Drum Paddle (To Suit 150T) (MAR '95 - NOV '96)
- 4B SEE 3B .....1 .....Drum (To Suit 175T)
- 908-12702.....3 .....Drum Paddle (To Suit 175T) (MAR '95 - NOV '96)
- 4C SEE 3C .....1 .....Drum (To Suit 200T)
- 908-12802.....3 .....Drum Paddle (To Suit 200T) (MAR '95 - NOV '96)
- 5 1/0507 .....A/R .....Paint Spray
- 5A 1/0519 .....A/R .....Paint Tin
- 6  Z-01 .....2 .....Decal

# Hand Wheel Assembly



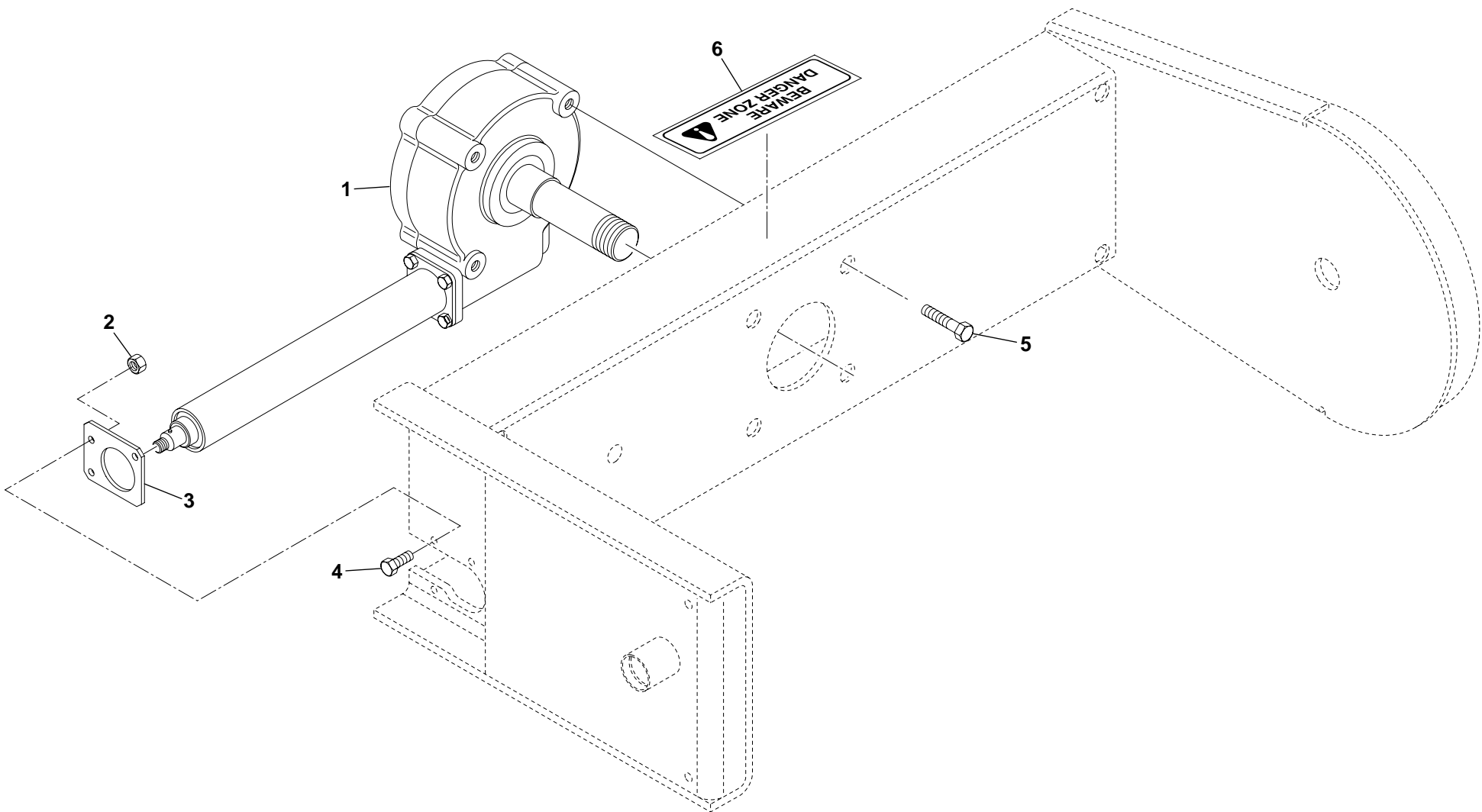
## Hand Wheel Assembly

**B**

- 1 908/13000 .....1 .....Plunger
- 2 3/0004 .....1 .....Pin
- 3 3/0012 .....1 .....Pin
- 4 908/10600 .....1 .....Spring
- 5 908/13100 .....1 .....Spacer
- 6 908/15800 .....1 .....Bush
- 7 8/16003 .....1 .....Nut (M16)
- 8 4-1601 .....1 .....Washer (M16)
- 9 908/12900 .....1 .....Hand Wheel
- 10 50/000031 .....2 .....Bush
- 11 908/20100 .....1 .....Mounting
- 12 7/12003 .....2 .....Screw (M12x30)
- 13 8/12002 .....2 .....Nut (M12)
- 14 908/21200 .....1 .....Guard
- 15 908/19800 .....1 .....Pinion and Shaft
- 16 50/000016 .....2 .....Bush
- 17 7/5011 .....4 .....Screw (M5x10)
- 18 908/21400 .....1 .....Guard

**Gearbox Assembly**



**C**





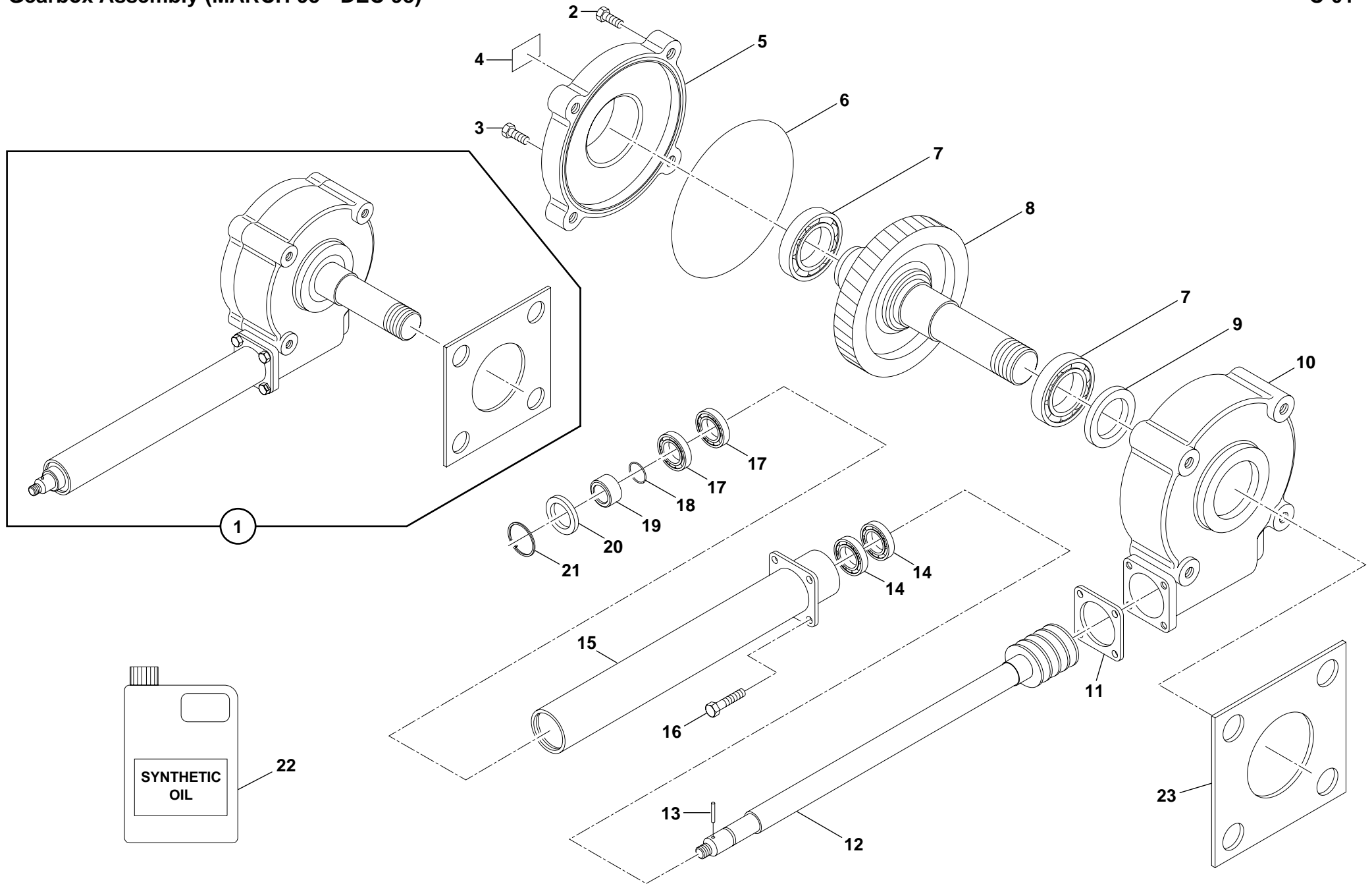
## Gearbox Assembly

C

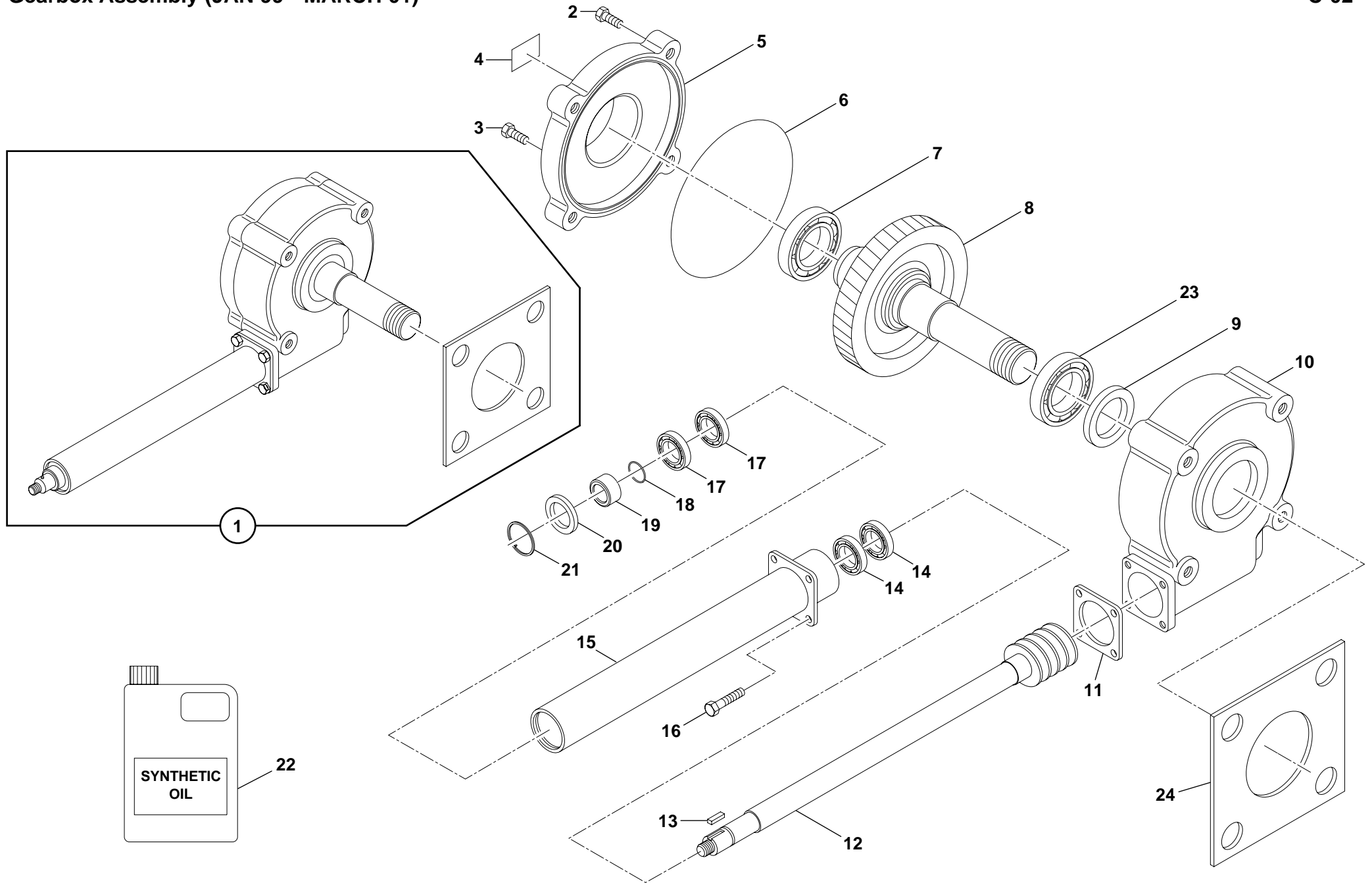
- 1  C.....1 .....Gearbox
- 2 8/8002.....3 .....Nut (M8)
- 3 908/16000.....1 .....Plate
- 4 7/8008.....3 .....Screw (M8x16)
- 5 9/12017.....4 .....Bolt (M12x90)
- 6  Z.....2 .....Decal Danger Zone

Gearbox Assembly (MARCH 95 - DEC 98)

C-01



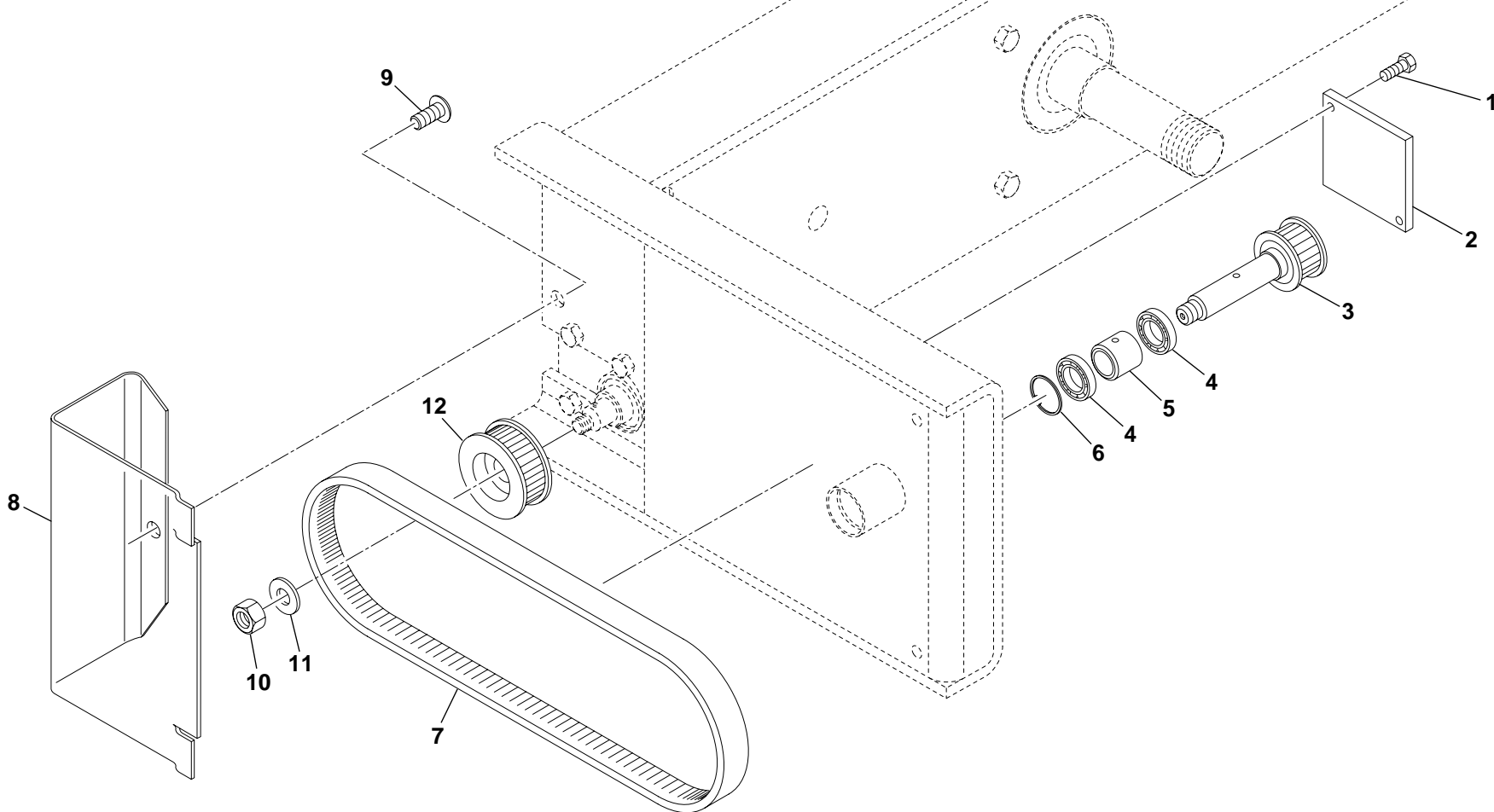
- 1 908/12400 .....NS
- 908/24100 .....1 .....Gearbox
- 2 9/12004 .....4 .....Bolt (M12x50)
- 3 XS01 .....1 .....Bung
- 4 908/14100 .....1 .....Decal
- 5 PS111 .....1 .....Cover
- 6 5/0022 .....1 .....Seal
- 7 PS002 .....2 .....Bearing
- 8 908/16800 .....1 .....Gear / Shaft
- 9 PS006 .....1 .....Seal
- 10 PS005 .....NS
- 908/24700 .....1 .....Case (Update Kit)
- 11 PS007 .....1 .....Gasket
- 12 908/13400 .....NS
- 908/24600 .....1 .....Shaft (Update Kit)
- 13 93/0013 .....1 .....Pin
- 14 XS31 .....2 .....Bearing
- 15 908/13500 .....NS
- 908-24600 .....1 .....Tube (Update Kit)
- 16 7/8012 .....4 .....Bolt (M8x25)
- 17 PS013 .....2 .....Bearing
- 18 5/0015 .....1 .....Seal
- 19 PS014 .....1 .....Spacer
- 20 PS016 .....1 .....Seal
- 21 MS22 .....1 .....Circlip
- 22 1/0474 .....A/R .....Oil Synthetic 5 Ltr
- 23 908/99902 .....1 .....Guard



- 1 908/24100 .....1 .....Gearbox
- 2 9/12004 .....4 .....Bolt (M12x50)
- 3 XS01 .....1 .....Bung
- 4 908/14100 .....1 .....Decal
- 5 PS111 .....1 .....Cover
- 6 5/0022 .....1 .....Seal
- 7 PS002 .....1 .....Bearing
- 8 909-24300 .....1 .....Gear / Shaft
- 9 PS006 .....1 .....Seal
- 10 908/24200 .....1 .....Case
- 11 PS007 .....1 .....Gasket
- 12 908/13400 .....NS
- 908/24600 .....Shaft
- 13 908/99901 .....1 .....Key
- 14 XS31 .....2 .....Bearing
- 15 908/13500 .....NS
- 908/24600 .....1 .....Tube
- 16 7-/8012 .....4 .....Bolt (M8x25)
- 17 PS013 .....2 .....Bearing
- 18 5/0015 .....1 .....Seal
- 19 PS014 .....1 .....Spacer
- 20 PS016 .....1 .....Seal
- 21 MS22 .....1 .....Circlip
- 22 1-0474 .....A/R .....Oil Synthetic 5 Ltr
- 23 53-0004 .....1 .....Bearing
- 24 908/99902 .....1 .....Guard

Layshaft Assembly

D

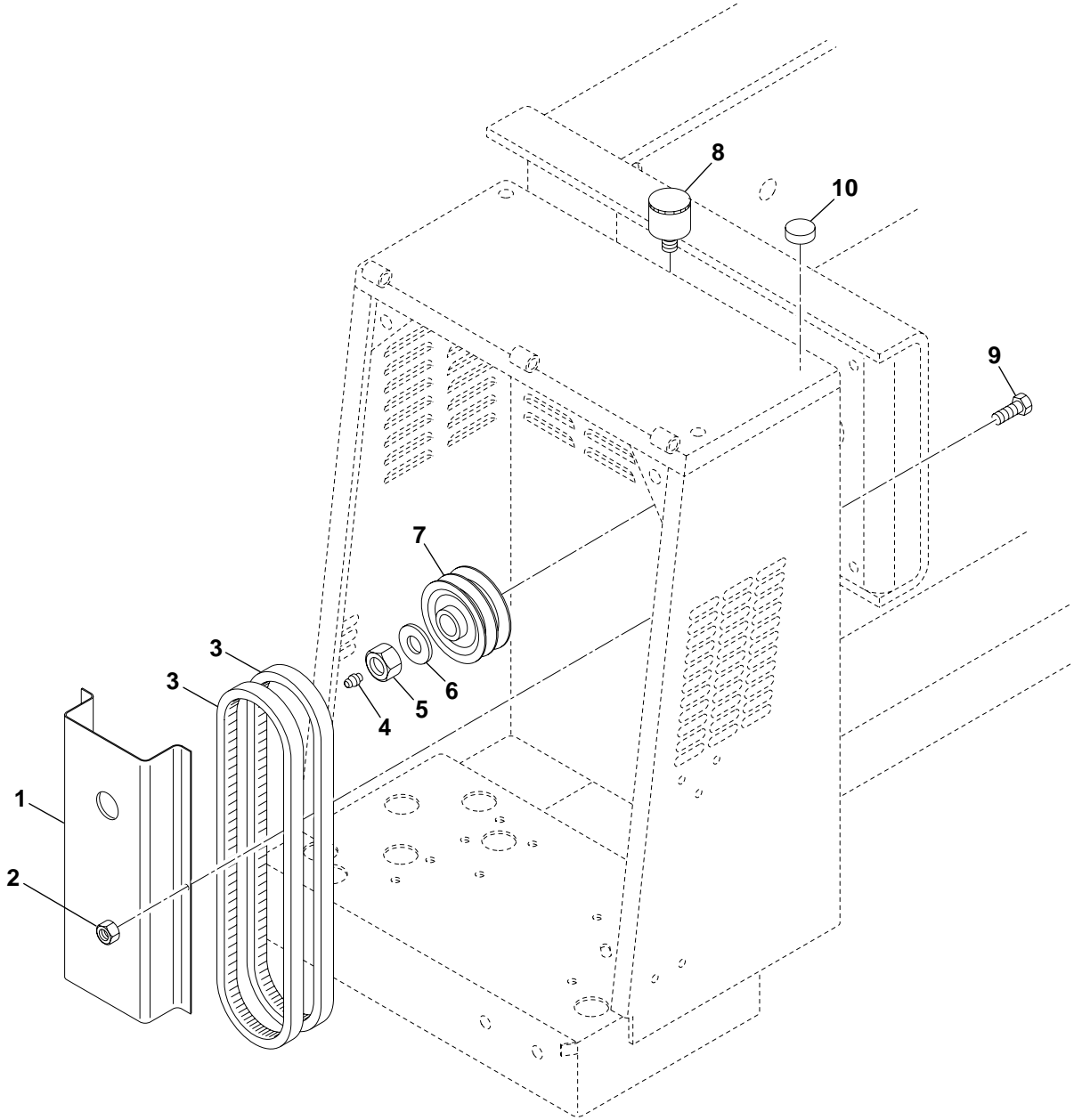


## Layshaft Assembly

D

- 1 7/6011 .....2 .....Screw (M6x10)
- 2 908/15900 .....1 .....Plate
- 3 908/16100 .....1 .....Layshaft
- 4 PS074 .....2 .....Bearing
- 5 PS021 .....1 .....Spacer
- 6 PS022 .....1 .....Circlip
- 7 908/15500 .....1 .....Belt
- 8 908/21000 .....1 .....Guard
- 9 7/5011 .....1 .....Screw (M5x10)
- 10 8/12003 .....1 .....Nut (M12)
- 11 4/1201 .....1 .....Washer (M12)
- 12 908/15700 .....1 .....Pulley

Layshaft Pulley Assembly





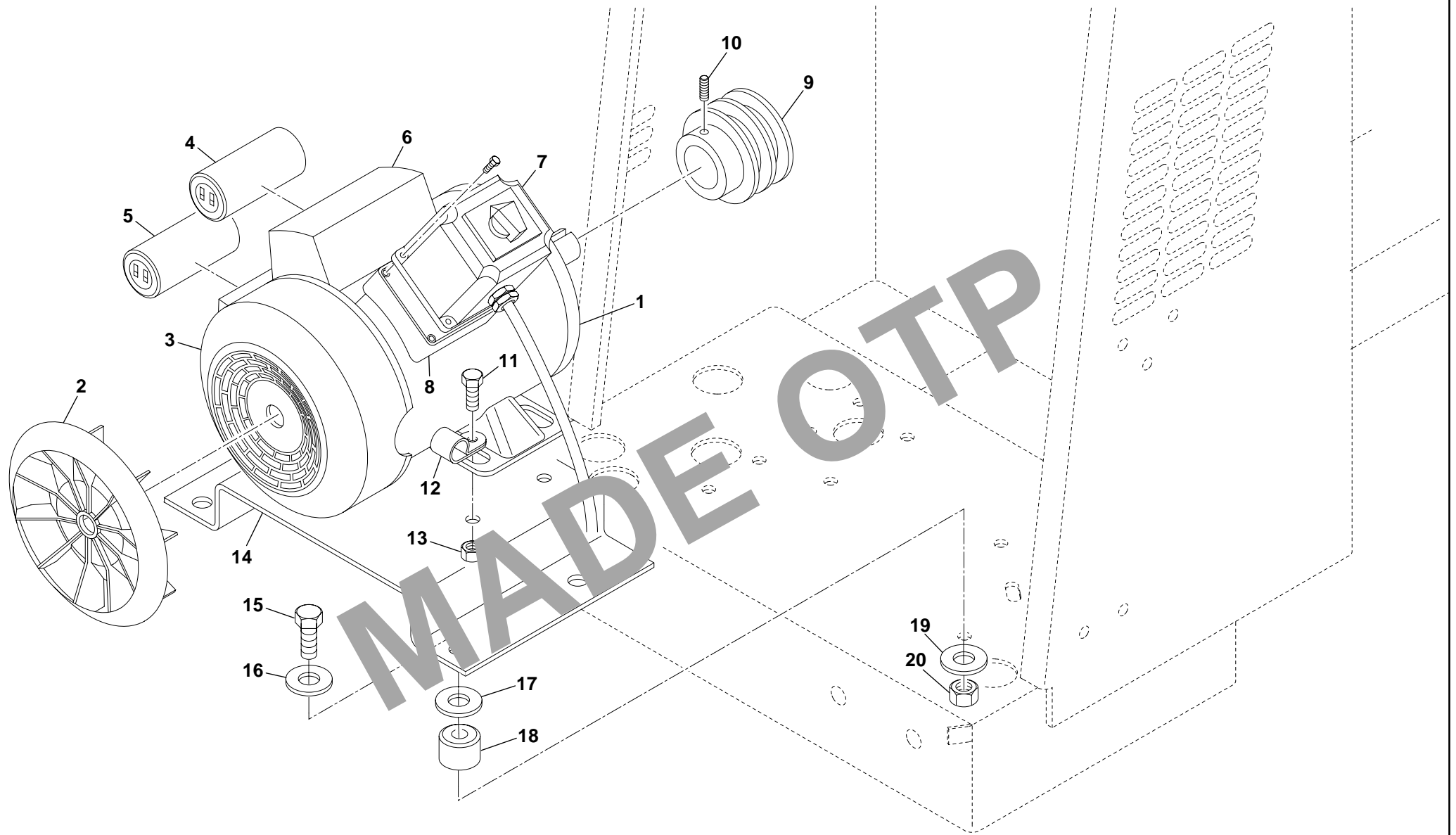
## Layshaft Pulley Assembly

E

- 1 908/12100 .....1 .....Guard
- 2 8/6002 .....2 .....Nut (M6)
- 3 908/12000 .....2 .....Belt (March 95 - Nov 95)
- 3a 908/22600 .....2 .....Belt (Dec 95 - March 01)
- 4 500/06100 .....1 .....Grease Nipple
- 5 8/16002 .....1 .....Nut (M16)
- 6 4/1602 .....1 .....Washer (M16)
- 7 PS031 .....1 .....Pulley
- 8 PS046 .....1 .....Stauffer
- 9 7/6011 .....2 .....Screw (M6x10)
- 10 3/3000 .....2 .....Pad

# Motor 110V 100T Assembly

F



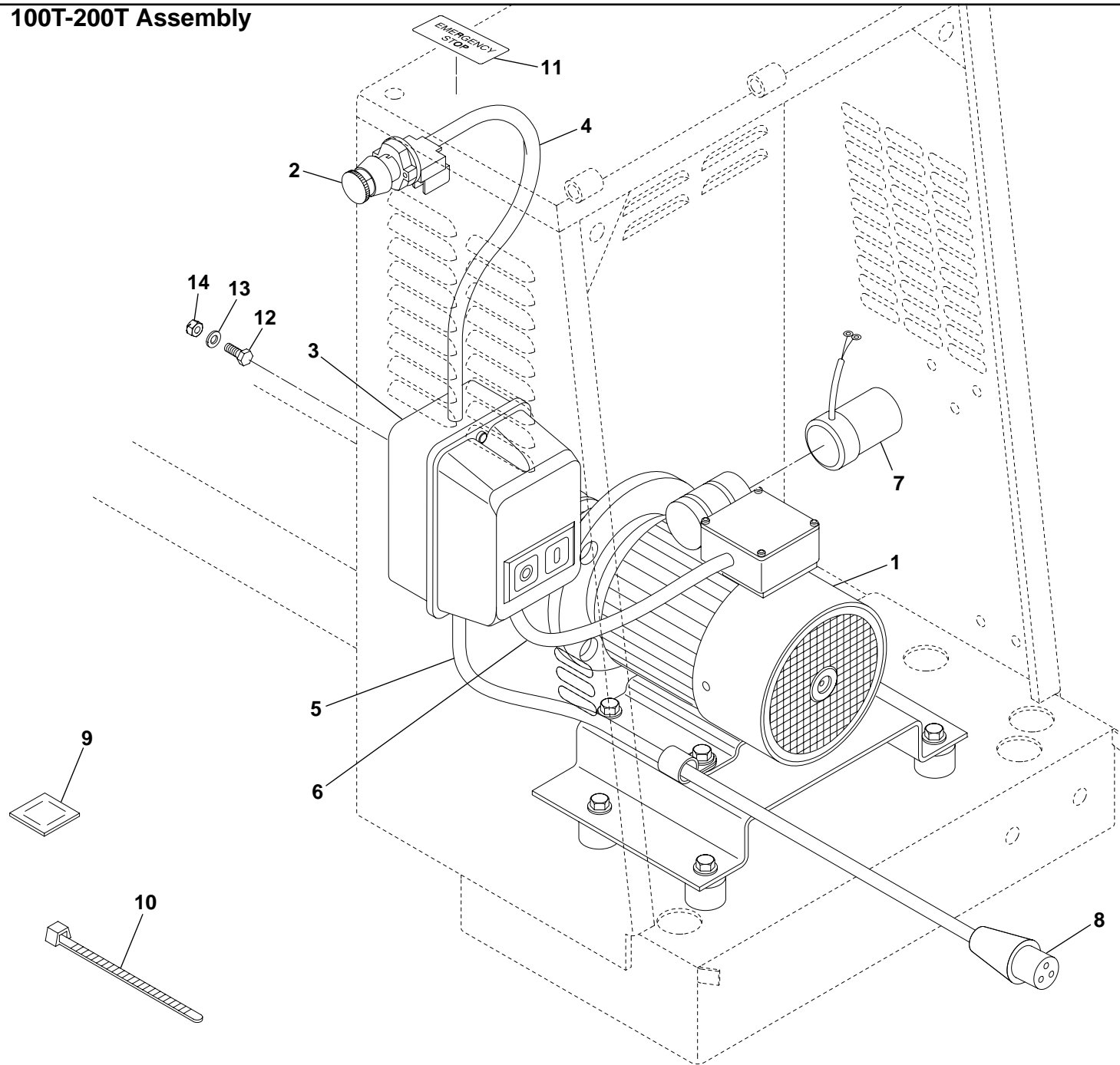
**Motor 110V 100T Assembly****F**

- 1 PS035 .....1 .....Motor 110V
- 2 CMS24 .....1 .....Fan
- 3 CMS25 .....1 .....Cover
- 4 CMS29 .....1 .....Capacitor
- 5 PS098 .....1 .....Capacitor
- 6 CMS17 .....2 .....Cover
- 7 PS033 .....1 .....Switch 110V NVR
- 8 CMS36 .....1 .....Plate
- 9 PS037 .....1 .....Pulley
- 10 7/6008 .....1 .....Screw
- 11 7/8008 .....4 .....Screw
- 12 908/15200 .....1 .....Clip
- 13 8/8002 .....4 .....Nut
- 14 PS034 .....1 .....Plate
- 15 9/12010 .....4 .....Bolt
- 16 4/1205 .....A/R .....Washer
- 17 4/1201 .....A/R .....Washer
- 18 908/11900 .....4 .....Spacer
- 19 PS106 .....A/R .....Washer
- 20 8/12001 .....4 .....Nut


MADE OTP

# Motor 110V / 415V 100T-200T Assembly

G

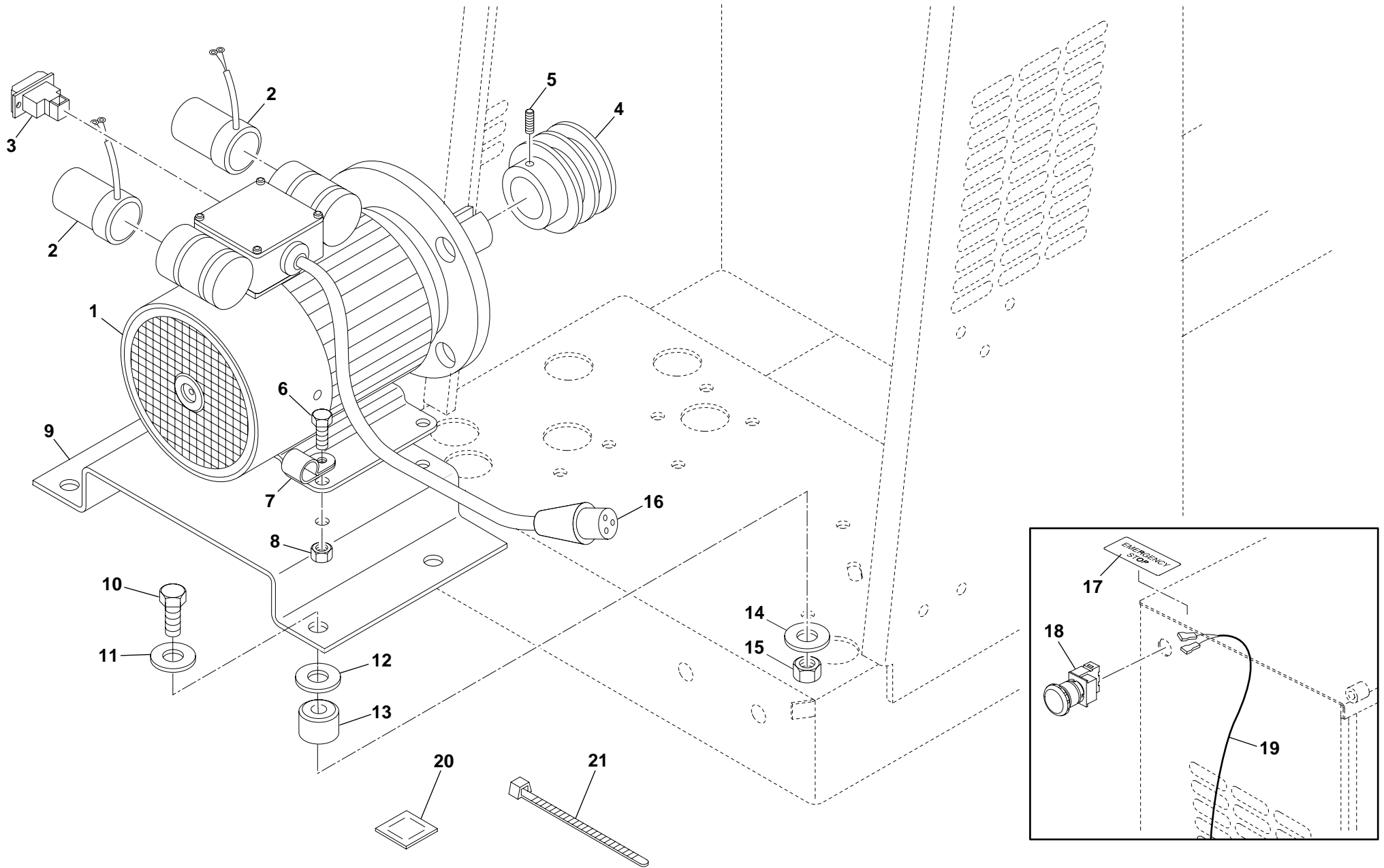


**Motor 110V / 415V 100T-200T Assembly****G**

- 1 908/15000 .....1 .....Motor 110V
- 1A 908/19900 .....1 .....Motor 380V / 415V 3 Phase
- 2 70/0049 .....1 .....Stop Button
- 3 908/22000 .....1 .....Switch 110V
- 3A 908/20000 .....1 .....Switch 380V / 415V 3 Phase
- 4 71/0159 .....1 .....Harness (Emergency Stop)
- 5 71/0160 .....1 .....Harness (c/w 110V 32Amp Plug)
- 5A 71/0165 .....1 .....Harness (c/w 415V 32Amp Plug)
- 6 71/0161 .....1 .....Harness Motor (110V)
- 6A 71/0166 .....1 .....Harness Motor (415V)
- 7 70/0187 .....1 .....Capacitor (110V)
- 8 918/30100 .....1 .....Plug (110V 32Amp)
- 8A 70/0189 .....1 .....Plug (415V 32Amp)
- 9 900/99903 .....A/R .....Pad
- 10 1/0005 .....A/R .....Cable Tie
- 11  Z .....1 .....Decal Emergency Stop
- 12 9-4001 .....2 .....Bolt (M4x12)
- 13 4-4001 .....2 .....Washer (M4)
- 14 8-4004 .....2 .....Nut (M4)


# Motor 220V / 240V Assembly

H



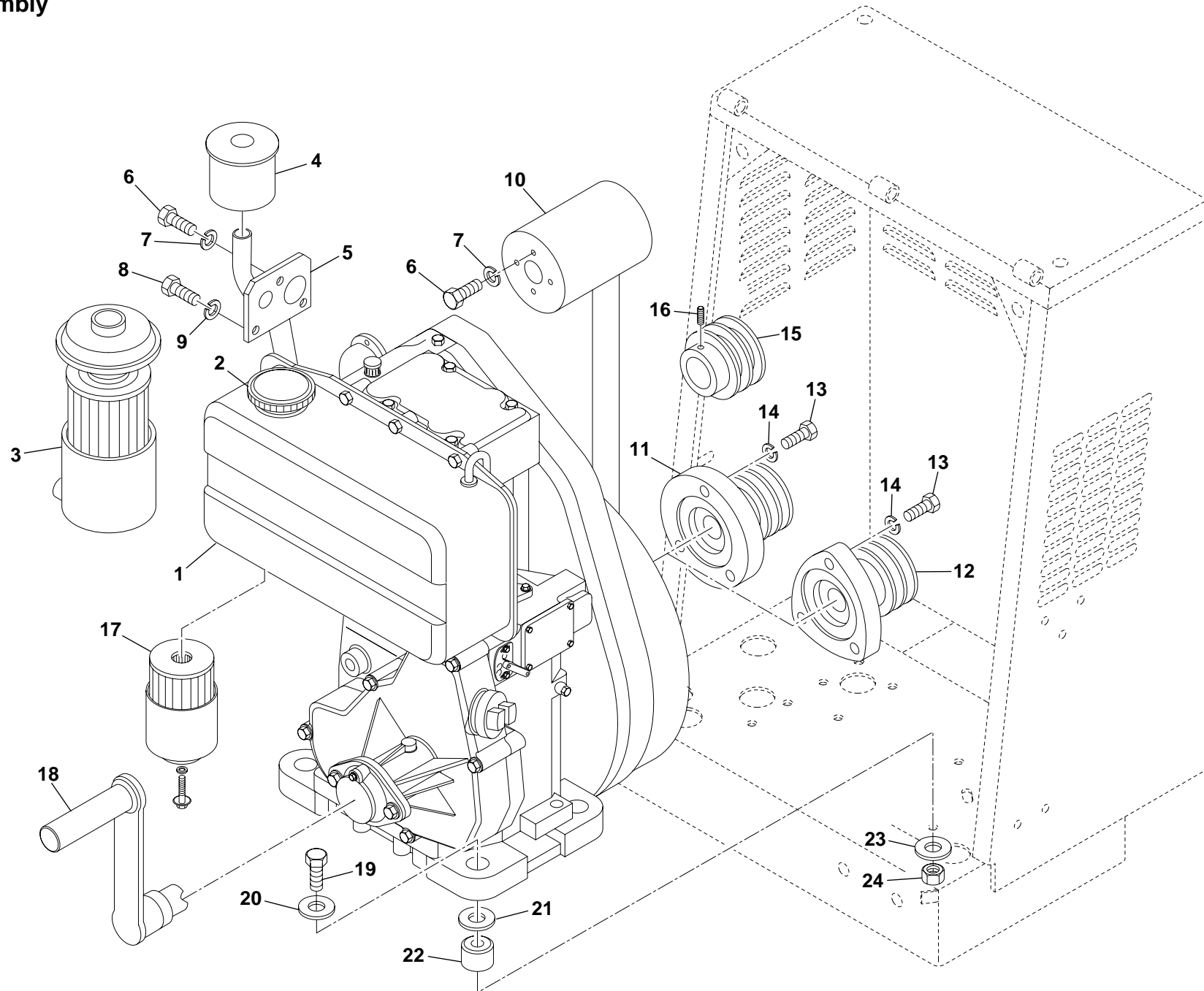
## Motor 220V / 240V Assembly

H

1	908/15100	.....1	.....	Motor 1.5KW 220V
	908/13300	.....1	.....	Motor 1.5KW 240V
2	70/0043	.....1	.....	Run Capacitor 30mf
2A	70/0042	.....1	.....	Start Capacitor 200mf
3	70/00044	.....1	.....	Switch
4	908/14800	.....1	.....	Pulley
5	7/8006	.....1	.....	Screw (M8x10)
6	7/8008	.....4	.....	Screw (M8x16)
7	908/15200	.....1	.....	Clip
8	8/8002	.....4	.....	Nut (M8)
9	PS034	.....1	.....	Plate
10	9/12010	.....4	.....	Bolt (M12x60)
11	4/1205	.....4	.....	Washer (M12)
12	4/1201	.....4	.....	Washer (M12)
13	908/11900	.....4	.....	Spacer
14	PS106	.....4	.....	Washer
15	8/12001	.....4	.....	Nut (M12)
16	918/28500	.....1	.....	Plug (230V 16Amp)
17	 Z	.....1	.....	Decal Emergency Stop
18	70-0049	.....1	.....	Switch Emergency Stop
19	71-0159	.....1	.....	Harness Emergency Stop
20	900-99903	.....A/R	.....	Pad
21	1-0005	.....A/R	.....	Cable Tie

# Engine Assembly

J



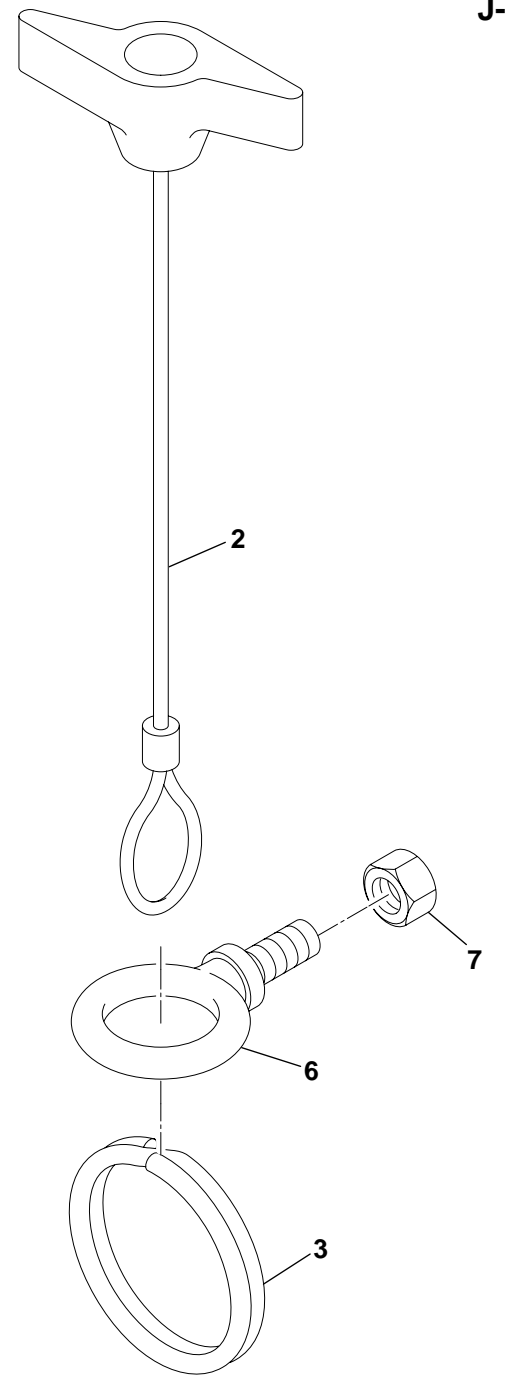
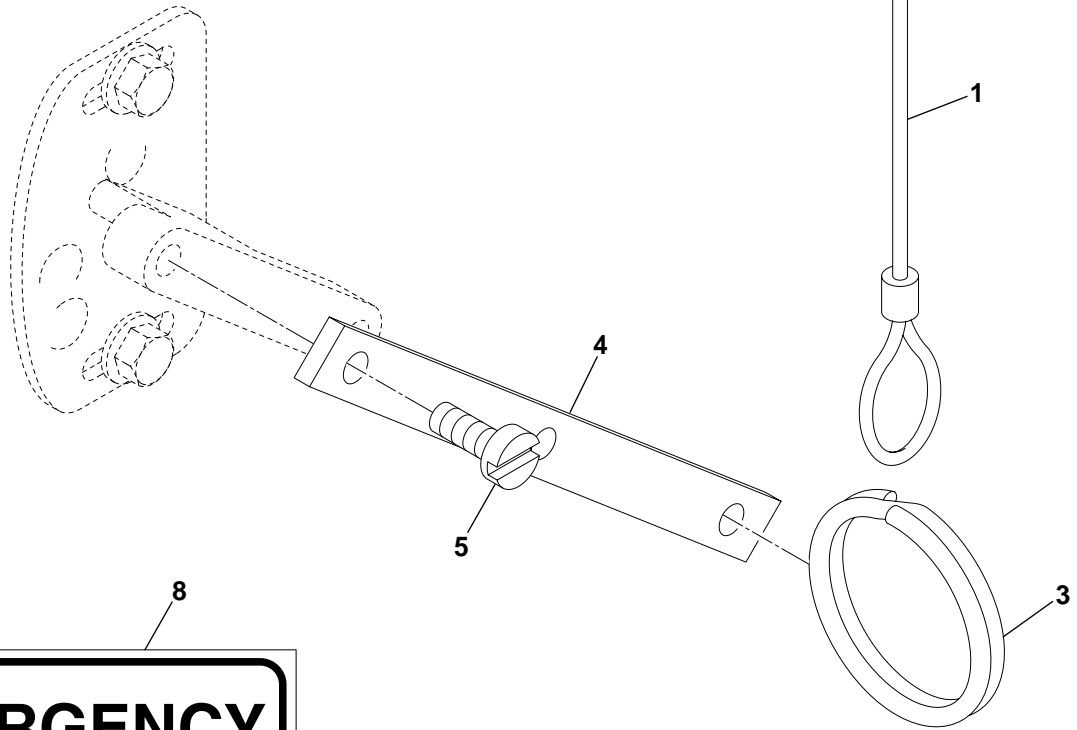


**Engine Assembly****J**

1	PS039	.....1	.....Engine Lister (10)	24	8/12001	.....4	.....Nut Lister (M12)
1A	PS084	.....1	.....Engine Lister (32)	24A	8/10001	.....4	.....Nut Yanmar (M10)
1B	908/20800	.....1	.....Engine Lister CE (32)				
1C	908/20900	.....1	.....Engine Lister CE (10)				
1D	PS069	.....1	.....Engine Yanmar Recoil				
2	908/18700	.....1	.....Cap Lister				
3	908/14200	.....1	.....Filter Lister (10)				
4	PS087	.....1	.....Filter Lister (32)				
5	908/14600	.....1	.....Exhaust Lister (32)				
5A	PS086	.....1	.....Exhaust Yanmar				
6	7/8008	.....3	.....Screw (M8x16)				
7	4/8003	.....3	.....Washer (M8)				
8	9/6001	.....2	.....Bolt (M6x16)				
9	4/6005	.....2	.....Washer (M6)				
10	908/13600	.....1	.....Exhaust Lister (10)				
11	PS040	.....1	.....Pulley Lister (32)				
12	PS097	.....1	.....Pulley Lister (10)				
13	9/12006	.....3	.....Bolt Lister (M12x35)				
14	4/1202	.....3	.....Washer Lister (M12)				
15	PS103	.....1	.....Pulley Yanmar				
16	7/8002	.....1	.....Screw Yanmar (M8x16)				
17	908/18600	.....1	.....Filter Lister				
18	PS038	.....1	.....Handle Lister				
18A	908/22500	.....1	.....Handle Lister Anti-Kickback				
19	9/12017	.....4	.....Bolt Lister (M12x90)				
19A	9/10008	.....4	.....Bolt Yanmar (M10x60)				
20	4/1205	.....A/R	.....Washer Lister (M12)				
20A	4/10001	.....4	.....Washer Yanmar (M10)				
21	4/1201	.....A/R	.....Washer Lister (M12)				
21A	4/10001	.....A/R	.....Washer Yanmar (M10)				
22	908/11900	.....4	.....Spacer Lister				
22A	PS108	.....4	.....Spacer Yanmar				
23	PS106	.....A/R	.....Washer				


# Engine Stop Assembly

J-01



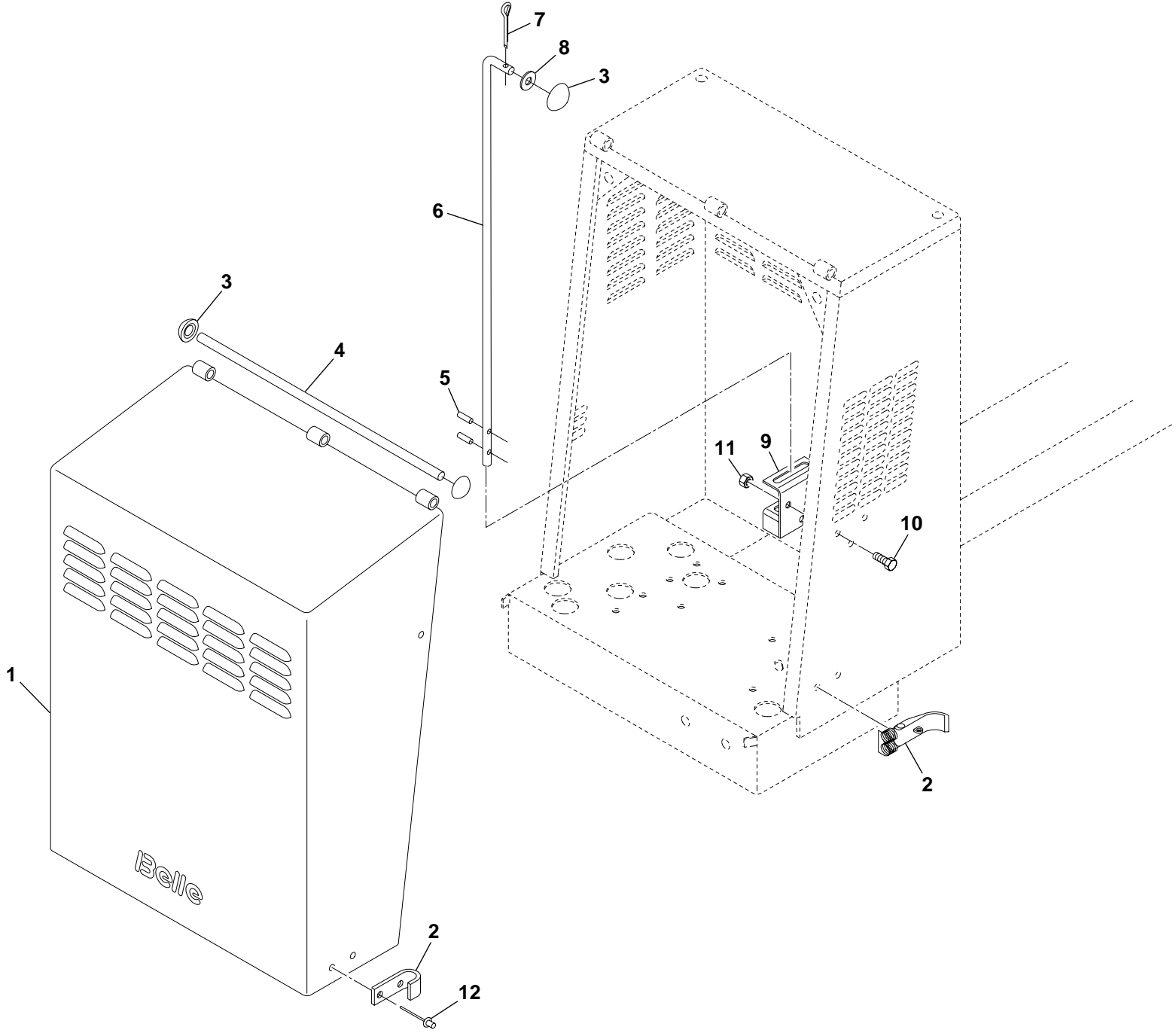
## Engine Stop Assembly

J-01

- 1 908/22100 .....1 .....Cable Lister
- 2 908/22200 .....1 .....Cable Yanmar
- 3 2/0010 .....1 .....Ring
- 4 908/21800 .....1 .....Plate Lister
- 5 7/4002 .....2 .....Screw Lister (M4x12)
- 6 9/0004 .....1 .....Eyebolt Yanmar
- 7 8/10001 .....1 .....Nut Yanmar (M10)
- 8  Z .....1 .....Decal Emergency Stop

Cover Assembly

K



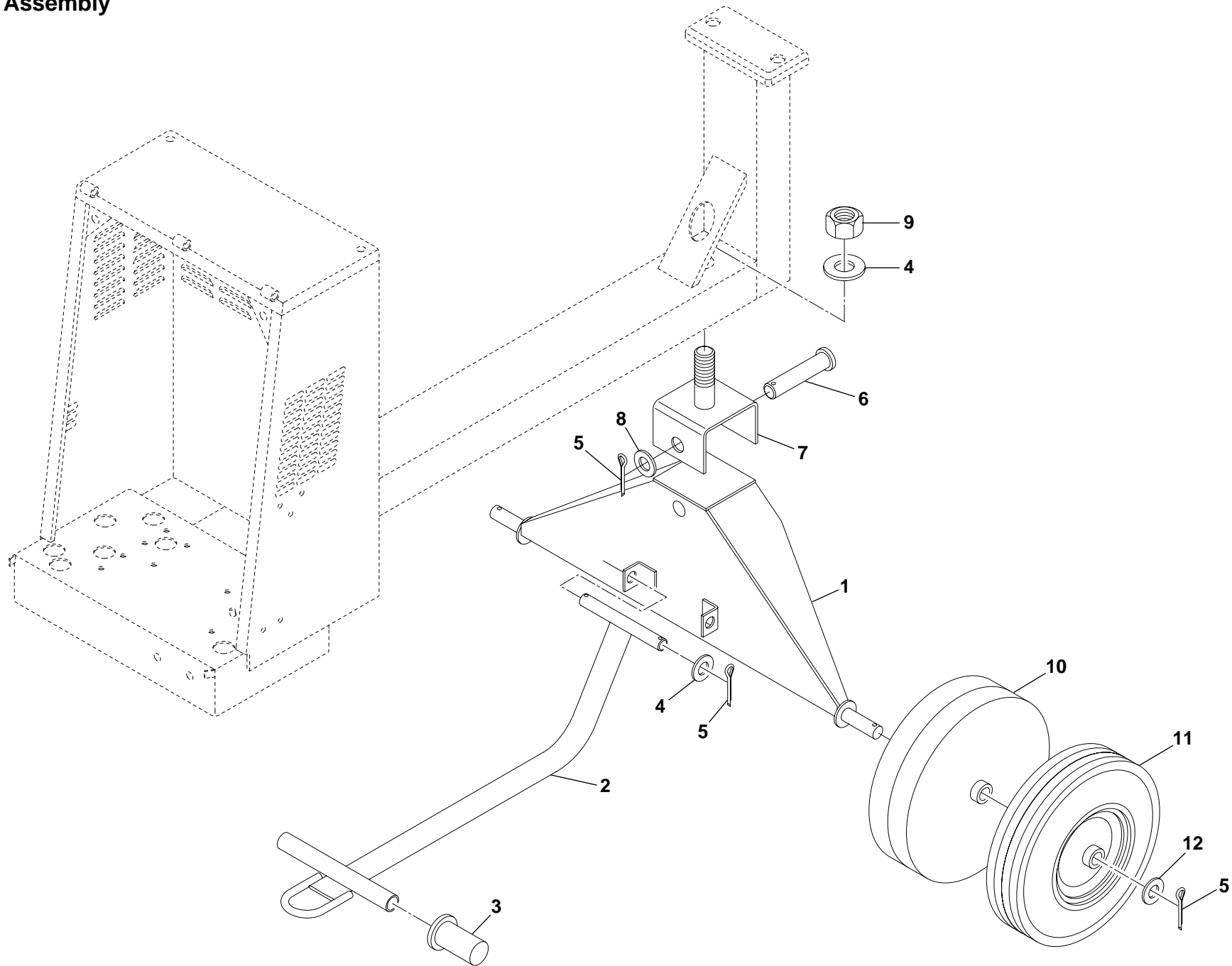
## Cover Assembly

K

- 1 908/13200 .....1 .....Cover
- 2 908/10700 .....2 .....Fastener
- 3 PS071 .....3 .....Cap
- 4 PS067 .....1 .....Rod
- 5 3/0013 .....2 .....Pin
- 6 908/21900 .....1 .....Stay
- 7 3/0003 .....1 .....Pin
- 8 4/1001 .....1 .....Washer (M10)
- 9 908/22300 .....1 .....Bracket
- 10 7/8008 .....3 .....Screw (M8x16)
- 11 8/8002 .....3 .....Nut (M8)
- 12 3/0008 .....8 .....Rivet


# Front Axle Assembly

L

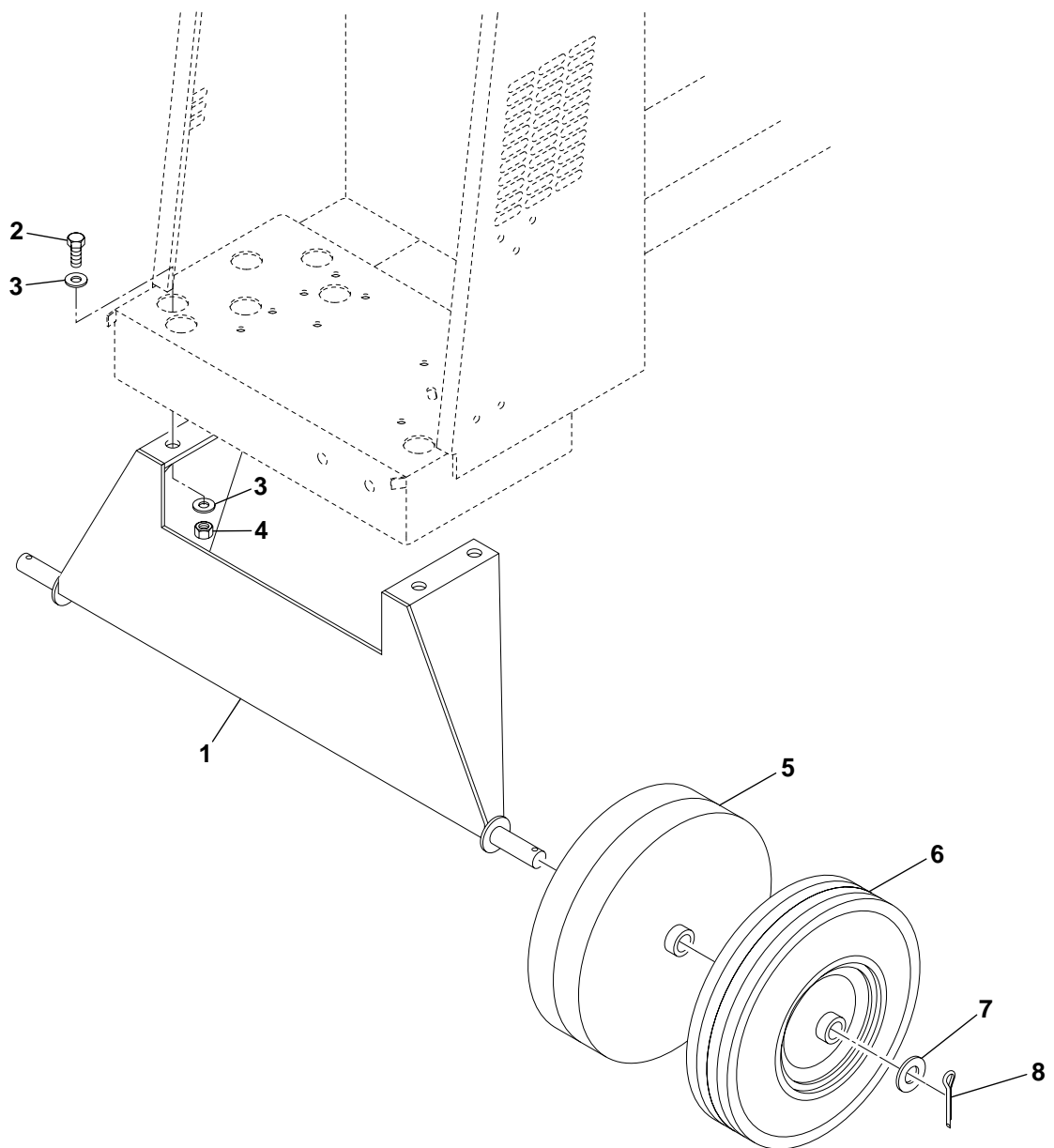


## Front Axle Assembly

L

- 1 908/10200 .....1 .....Axle
- 2 908/10400 .....2 .....Towbar
- 3 XS35 .....2 .....Handle
- 4 4/2001 .....3 .....Washer (M20)
- 5 3/0006 .....5 .....Pin
- 6 908/12300 .....1 .....Pin
- 7 908/10500 .....1 .....Swivel
- 8 4/2201 .....1 .....Washer (M22)
- 9 8/20001 .....1 .....Nut
- 10  11 .....2 .....Steel Wheel
- 11 PS059 .....2 .....Rubber Wheel
- 12 4/0009 .....2 .....Washer


Rear Axle Assembly





## Rear Axle Assembly

M

- 1 908/10300 .....1 .....Axle
- 2 7/12004 .....4 .....Screw (M12x25)
- 3 4/1201 .....8 .....Washer (M12)
- 4 8/12003 .....4 .....Nut (M8)
- 5  6 .....2 .....Steel Wheel
- 6 PSO59 .....2 .....Rubber Wheel
- 7 4/0009 .....2 .....Washer
- 8 3/0006 .....2 .....Pin

1  
**PREMIER**  
**100T**

2  
**PREMIER**  
**150T**

3  
**PREMIER**  
**175T**

4  
**PREMIER**  
**200T**



6  
**Belle**

7  
**EMERGENCY STOP**  
 800/10450

8  
**BEWARE DANGER ZONE**  
 800/10441

9  
**BEWARE HOT PARTS**  
**PIECES CHAUDES**  
**HIEB, VERBRENNUNGSGEFAHR**  
**CUIDADO! PIEZAS CALIENTES**  
**PEZZI CALDI**  
 800/10420



10

**CAUTION**

**READ THESE SAFETY INSTRUCTIONS**

<p><b>Notes for safe operation</b></p> <p><b>IMPORTANT:</b> Read the instructions with this mixer together with these notes and satisfy yourself that you understand the controls before attempting to operate the machine, also for your records note the machine chassis number.</p> <p><b>Before starting the mixer</b></p> <p>Check that all guards are in position and correctly fitted.</p> <p>On electric powered mixers, ensure that the power supply has been correctly connected by a qualified electrician and that any trailing cable is protected against damage and not liable to be tripped over. Belle recommend the use of an RCD on 220/240v electrics.</p> <p><b>DO</b>                  Become familiar with the controls before operating this machine.</p> <p><b>DON'T</b>                  Wear loose clothing or jewellery that may become entangled in the workings of this machine.</p> <p><b>DO</b>                  Ensure that all guards are fitted in the correct positions.</p> <p><b>DON'T</b>                  Ever exceed the manufacturers rated capacity.</p> <p><b>DO</b>                  Ensure plenty of ventilation when running diesel/petrol engines in a confined area.</p> <p><b>DON'T</b>                  Ever transport this mixer when mixing.</p>	<p><b>When operating the mixer</b></p> <p>Keep unauthorised persons away from mixing drum.</p> <p>Keep engine housing lid closed whilst the mixer is running, unless instructed otherwise.</p> <p>Do not add fuel or lubricate mixer whilst it is running.</p> <p>Keep area around the mixer clear of obstructions which could cause persons to fall onto moving parts.</p> <p><u>Always ensure mixer is on level ground before mixing.</u></p> <p>If you are in any doubt about the safety condition of your machine, please consult your dealer.</p> <p><b>DO</b>                  Replace any worn/damaged warning decals.</p> <p><b>DON'T</b>                  Put your hand or shovel into the drum while the drum is in motion.</p> <p><b>DO</b>                  Ensure the drum is rotating while emptying the mix.</p> <p><b>DON'T</b>                  Run this machine with the engine cover up, unless otherwise instructed.</p> <p><b>DO</b>                  Always switch off and remove the plug from the socket if leaving the machine unattended.</p> <p><b>DON'T</b>                  Ever tip a mini 140 onto its drum mouth when the drum is in motion.</p>
--	--

DO NOT REMOVE OR OBSCURE THIS DECAL 900/10600

- 1 908/11000 .....2 .....Decal (100T)
- 2 908/11100 .....2 .....Decal (150T)
- 3 908/11200 .....2 .....Decal (175T)
- 4 908/11300 .....2 .....Decal (200T)
- 5  10 .....1 .....Decal (CE Mark)
- 6 800/00200 .....2 .....Decal (Belle)
- 7  10 .....1 .....Decal (Emergency Stop)
- 8 800/10441 .....1 .....Decal (Danger Zone)
- 9 800/10420 .....1 .....Decal (Hot Parts)
- 10 900/10600 .....1 .....Decal (Safety Instruction Kit)