

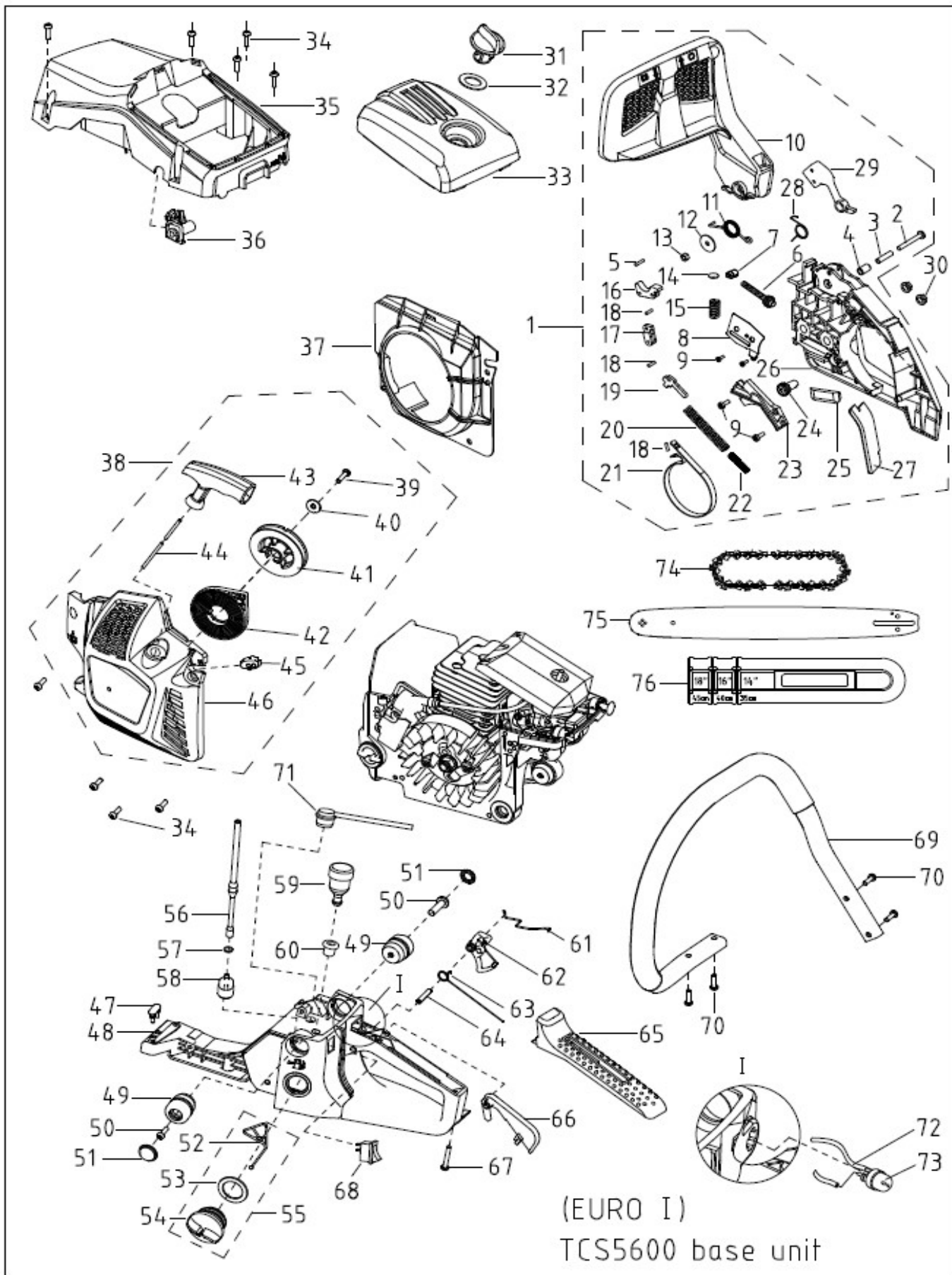
(EURO I)  
TCS5600 engine unit

No.	part No.	DESCRIPTION (EN)	qty
1	YD56.01.02-1	cylinder	1
2	GB/T6170	nut M5	2
3	GB/T93	washer 5	15
4	GB/T97.1	washer 5	15
5	YD56.01.09-00	muffler body	1
6	YD45.01.00-2	muffler sealing plate	1
7	YD45.01.00-24	muffler connecting screw	2
8	GB/T6191	screw M5×20	6
9	YD45.01.11.04-00	spark plug	1
10	YD45.01.02-2	air intake tube sealing plate	1
11	YD45.01.02.01-00	air intake tube	1
12	GB/T2672	screw M5×12	4
13	YD45.01.00-17	hold coil	1
14	YD45.01.00-1	cylinder sealing plate	1
15	YD56.01.03-2	piston ring	2
16	YD56.01.03-1	piston	1
17	YD56.01.03-4	piston pin circlip	2
18	YD56.01.03-3	piston pin	1
19	YD56.01.03-5	needle bearing ring	2
20	YD56.01.03.01-00	crank shaft components	1
21	YD45.01.03.02-00	needle bearing 11×15×12.5	1
22	GB/T1099	semicircular key 3×3.5×10	1
23	YD45.00.00-4	conical spring base	1
24	YD45.00.00-3	conical spreader base	1
25	GB/T845	tapping screw ST4.8×16	4
26	YD45.00.00.01-00	chain shield	1
27	GB/T2672	screw M5×16	1
28	YD45.01.01.02-2	aeration jet	1

No.	part No.	DESCRIPTION (EN)	qty
29	YD45.01.01.02-3	aeration jet circlip	1
30	YD45.01.00-22	sponge transition block	1
31	YD45.01.00-21	pinion rack	1
32	GB/T2672	screw M5×10	5
33	YD45.01.00.04-2	oil filter screen	1
34	YD45.01.00.04-1	oil filter	1
35	YD45.01.00-12	oil tube	1
36	GB/T2672	screw M4×14	2
37	YD45.01.15-00	oil pump	1
38	YD45.01.00-23	sponge transition coil	1
39	YD45.01.00-13	nozzle	1
40	YD45.01.00-16	chain guide block	1
41	GB/T900	double-screw bolt AYM8-M8×26-8.8	2
42	YD45.01.13.01-00	clutch	1
43	YD45.01.13.01-2	shoe block	3
44	YD45.01.13.01-1	retainer	1
45	YD45.01.13.01-3	clutch spring	1
46	YD45.01.00-19	clutch adjusting washer	1
47	YD45.01.00.10-00	needle bearing 12×15×14.5	1
48	YD45.01.13-1	clutch shell	1
49	YD45.01.00-26	sprocket	1
50	YD45.01.00.06-00	worm	1
51	YD45.01.00-15	cover plate	1
52	YD45.01.00.09-00	oil seal 15×28×4.5	1
53	GB/T276	bearing 6202D grade 15×35×11	2
54	YD45.01.00-8	cushion block	1
55	YD45.01.00-7	choke rod fixation root	1
56	YD45.01.00.03-00	choke rod	1
57	YD45.01.00-11	right shock block	1

No.	part No.	DESCRIPTION (EN)	qty
58	YD45.01.00.07-00	shock seat	3
59	YD45.01.00.01-00	air intake tube support	1
60	YD45.01.00-4	tie plate	1
61	YD45.01.00-3	sealing plate of air intake support	1
62	YD45.01.00-14	air intake tube flange	1
63	YD45.01.06-00	carburetor	1
64	YD45.01.00.02-00	air intake socket	1
65	TCS4600.01.08-00	air filter	1
66	GB/T899	double-screw bolt GM5-M5×30	1
67	YD45.01.00-5	cushion of air intake socket	1
68	GB/T2672	screw M5×50	2
69	YD45.01.01.02-1	right case	1
70	YD45.01.00-6	dust plate	1
71	GB/T119.2	pin 5×10	3
72	YD38-3.01.11.03-00	earth wire	1
73	YD45.01.00-27	guide sleeve	1
74	YD45.01.00-10	left shock block	1
75	GB/T6191	screw M5×25	5
76	YD45.01.00-20	oil shield	1
77	GB/T93	washer 4	2
78	GB/T2672	screw M4×8	2
79	GB/T2672	screw M4×10	4
80	YD45.01.10.01-00a	flywheel assembly	1
81	GB/T6177.2	nut M8×1	1
82	TCS4600.03.03-00	oil cap assembly	1

No.	part No.	DESCRIPTION (EN)	qty
83	JB/T7757.2	O sealing 20×3.1	1
84	YD45.01.00.05-2	anti-drop plate	1
85	TCS4600.03.03-1	oil cover	1
86	YD45.01.01.01-3	suction tube circlip	2
87	YD45.01.01.01-2	suction tube 2.5×6×105	1
88	YD45.01.01.03-00	suction jet	1
89	YD45.01.01.01-1	left case	1
90	GB/T893.1	shield ring 35	1
91	YD45.01.00.08-00	oil seal 15×35×4.5	1
92	YD45.01.11.01-00	igniter	1
93	YD45-7.01.11.02-00	extinction conductor	1
94	TCS4600.01.11-3	igniter cap	1
95	YD45.00.00-9	dust cover	2
96	YD45.01.01-1	case body sealing plate	1
97	YD45.01.00-18	damper	1



(EURO I)  
TCS5600 base unit

No.	part No.	DESCRIPTION (EN)	qty
1	TCS5000.04.00-00	right cover assembly	1
2	YD38-3.04.00-16	screw M5×40	1
3	YD38-3.04.00-13	shield pipe	1
4	YD38-3.04.00-12	pipe	1
5	GB/T119.2	pin 3×14	1
6	YD45.04.00-24	tightener screw	1
7	YD45.04.00-25	tension block	1
8	YD45.04.00-11	tensioner cover plate	1
9	GB/T845	tapping screw ST4.2×9.5	4
10	TCS4600.04.00-2	front damper	1
11	YD38-3.04.00-9	brake torsion rod spring	1
12	YD45-3.04.00-13	washer 5.2×20×1.2	1
13	GB/T6183.1	nut M5	1
14	YD38-3.04.00-6	spring base	1
15	YD38-3.04.00-5	front damper spring	1
16	YD38-3.04.00-4	main lever	1
17	YD38-3.04.00-3	secondary pull-rod	1
18	GB/T119.2	pin 3×9	3
19	YD45.04.00-14	brake control rod	1
20	YD45.04.00-9	brake spring	1
21	YD45-4.04.00-12	brake strap	1
22	YD45.04.00-10	secondary brake spring	1
23	YD45-4.04.00-1	brake spring cover plate	1
24	YD45.04.00-26	tension gear	1
25	YD45.01.00-16	chain guide block	1
26	TCS4600.04.01-00	right cover	1
27	TCS4600.04.00-7	dust shield	1
28	YD38-3.04.00-7	heavy block spring	1
29	YD38-3.04.02-00	heavy block	1
30	GB/T6177.1	nut M8	2
31	TCS4600.05.01-00	air filter lock nut	1
32	YD38-3.05.00-6	lock nut washer 15×26×1	1
33	TCS4600.00.00-1	air filter cover	1
34	GB/T2672	screw M5×16	9
35	TCS4600.05.00-1	upper cover plate	1
36	TCS4600.00.00-6	idle adjusting guide set	1
37	TCS4600.02.00-1	guide flow cover	1
38	TCS4600.02.00-00	starter assembly	1
39	GB/T845	tapping screw ST4.8×14	1
40	GB/T96	washer 5	1
41	YD45.02.00-2	starter palte	1
42	YD45.02.00-5	start coil spring	1
43	YD38-5.02.00-4	start handle	1
44	YD45.02.00-7	start stretching wire	1
45	YD45.04.00-8	LH sheathing	1

46	TCS4600.02.01-00	starter cover	1
47	YD45.03.00-1	shock rubber	1
48	YD46.03.01-00	base	1
49	YD45.03.02-00	shock rubber gland	2
50	YD50.00.00-9	screw	2
51	YD45.00-00-2	dust cover	2
52	YD38-3.03.02-2	anti-drop plate	1
53	JB/T7757.2	O sealing 24.7×3.55	1
54	TCS4600.03.02-1	petrol cover	1
55	TCS4600.03.02-00	fuel cap assembly	1
56	YD45.03.00-2	fuel tube	1
57	YD45.03.00-15	fuel tube circlip	1
58	YD45.03.03-00	petrol filter componets	1
59		balancer	1
60	YD38-3.03.00-3	balancer root	1
61	YD45.03.00-25	throttle rod	1
62	YD45.03.00-11	trigger	1
63	YD45.03.00-12	trigger torsion rod spring	1
64	GB/T119.2	pin6×22	1
65	TCS4600.03.04-00	handle cover	1
66	YD45.03.00-13	trigger control rack	1
67	GB/T845	tapping screw ST4.2×22	1
68	YD38-3.01.11.04-00	extinction switch	1
69	YD45-2.06.00-00	front handle assembly	1
70	GB/T845	tapping screw ST4.8×16	4
71	YD45-4.03.00-11	scavenge nozzle	1
72	YD45-4.03.00-13	pump tube	1
73	YD38-3.00.00	Primer bulb	1
74		Saw chain	1
75		Guide bar	1
76		Scabbard	1