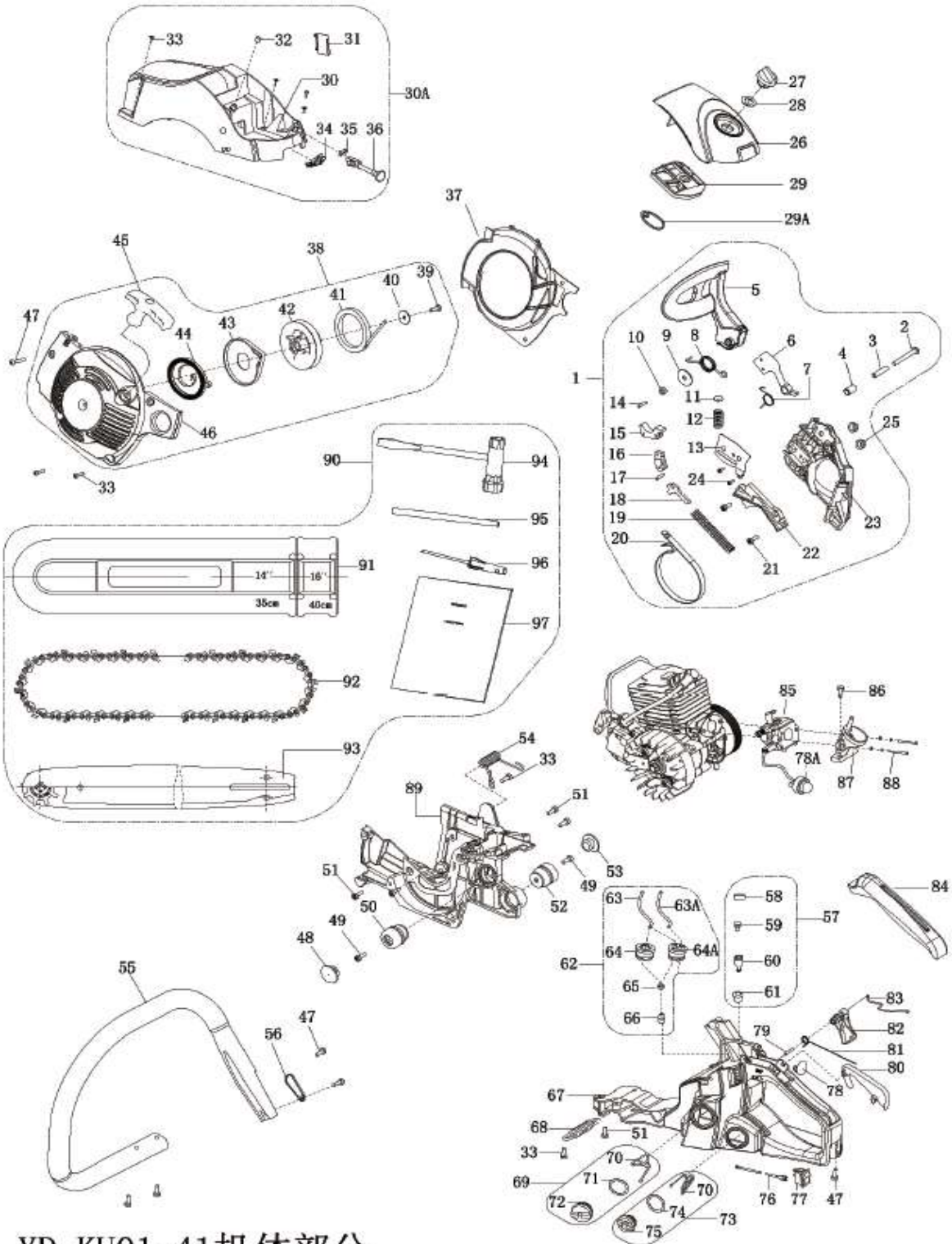


Topsun T4116 Chainsaw Base Unit



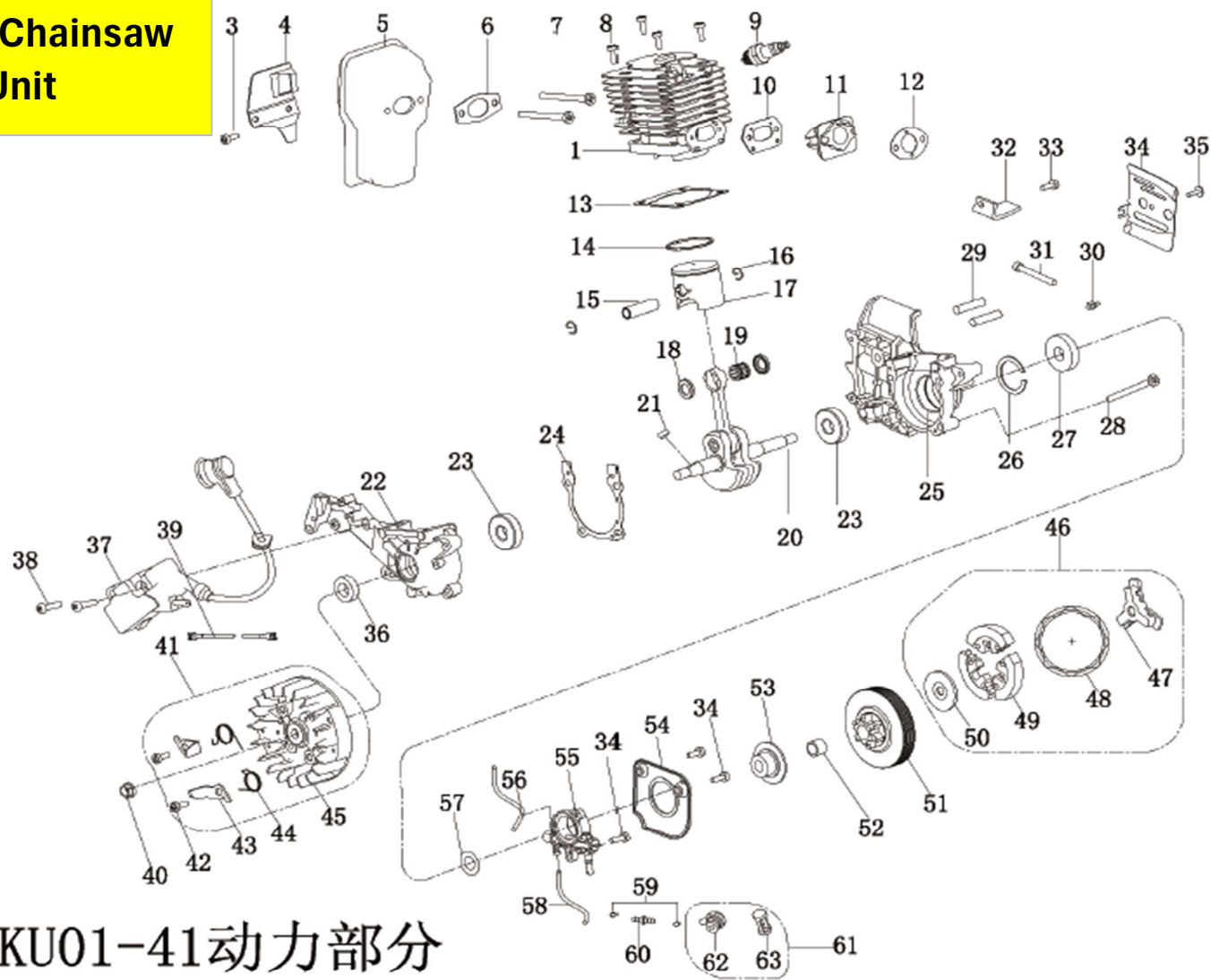
YD-KU01-41机体部分

Fig 1 BASE UNIT OF T4116			
No.	Parts No.	DESCRIPTION	QTY
1	YD38-3.04.00-00	right cover assembly	1
2	YD38-3.04.00-16	screw M5X40	1
3	YD38-3.04.00-13	shield gland	1
4	YD38-3.04.00-12	heavy brock gland	1
5	YD38-3.04.00-2	front damper	1
6	YD38-3.04.02-00	heavy brock	1
7	YD38-3.04.00-7	heavy brock spring	1
8	YD38-3.04.00-9	brake torsion rod spring	1
9	YD38-3.04.00-14	washer 5.2x23x1.2	1
10	GB/T6185.1	lock-nut M5	1
11	YD38-3.04.00-6	spring base	1
12	YD38-3.04.00-5	front guard spring	1
13	YD38-3.04.00-15	tensioner cover plate	1
14	GB/T119.2	pin 3X14	1
15	YD38-3.04.00-4	main level	1
16	YD38-3.04.00-3	secondary pull-rod	1
17	GB/T119.2	pin 3X9	3
18	YD38-3.04.00-11	brake control rod	1
19	YD38-3.04.00-8	brake spring	1
20	YD45-3.04.00-10	brake strap	1
21	GB/T845	tapping screw ST4.2X12	2
22	YD38-3.04.00-1	brake spring cover plate	1
23	YD38-3.04.01-00	right cover	1
24	GB/T846	tapping screw ST4.2X9.5	2
25	GB/T6177.1	nut M8	1
26	YD38 -3.05.00-2	air filter cover	1
27	YD38-3.05.01-00	air filter lock nut	1
28	YD38-3.05.00-6	lock nut washer 15x26X1	1
29	YD38.01.08.00-00	air filter	1
29A	YD38-3.05.00-7	air filter washer	1
30	YD38-3.05.00-00	upper cover plate	1
31	YD38-3.05.00-5	anti-freeze block	1
32	YD38-3.05.00-4	shock block	1
33	GB/T845	tapping screw ST4.8X19	10
34	YD38-3.00.00-7	dust shield	1
35	YD38-3.00.00-11	throttle lever retaining bracket	1
36	YD38-3.00.00-10	throttle rod	1
37	YD38-3.02.00-1	bossing	1
38	YD38-3.02.00-00	start assembly	1
39	GB/T845	tapping screw ST 4.8 X 13	1
40	GB/T96	washer5	1
41	YD38-3.02.00-6	start stretching wire3 x 920	1
42	YD38-3.02.00-2	start plate	1

43	YD38-3.02.00-3	coil-spring gland	1
44	YD38-3.02.00-5	start coil-spring	1
45	YD38-3.02.00-4	start handle	1
46	YD38-3.02.01-00	start cover	1
47	GB/T845	tapping screw ST 4.8X25	6
48	YD38-3.00.00-9	dust cover	1
49	GB/T845	tapping screw ST 4.8X16	2
50	YD38-3.06.04-00	cushion socket	1
51	GB/T818	screw M5X14	5
52	YD38-3.06.03-00	cushion socket	1
53	YD38-3.00.00-8	dust cover	1
54	YD38-3.00.00-4	front handle spring	1
55	YD38-3.00.00-1	front handle	1
56	YD38-3.00.00-13	torsional spring plate cover	1
57	YD38-3.03.06-00	balancer body assembly	1
58	YD38-3.03.00-15	balancer cover	1
59	YD38-3.03.00-14	balancer rubber	1
60	YD38-3.03.00-13	balancer body	1
61	YD38-3.03.00-3	balancer root	1
62	YD38-3.03.05-00	fuel base assembly	1
63	YD38-3.03.00-1	fuel tube	1
63A	YD38-3.03.00-1A	turn round tube	1
64	YD38-3.03.00-2	tube root	1
64A	YD38-3.03.00-2A	tube root	1
65	YD38-3.03.00-12	heavy block	1
66	YD38-3.03.04-00	petrol filter components	1
67	YD38-3.03.01-00	base	1
68	YD38-3.00.00-5	base spring	1
69	YD38-3.03.02-00	fuel cover assembly	1
70	YD38-3.03.03-2	anti-drop plate	1
71	YD38-3.03.02-3	packing washer 24 X 34 X1.5	1
72	YD38-3.03.02-1	petrol cover	1
73	YD38-3.03.03-00	oil cover assembly	1
74	YD38-3.03.03-3	packing washer 24X30X2	1
75	YD38-3.03.03-1	oil cover	1
76	YD38-3.01.11.03-00	ground conductor	1
77	YD38-3.01.11.04-00	extinction switch	1
78	YD38-3.03.00-4	front cap	1
78A	YD38-3.03.00-4 A	Primer pump	1
79	GB/T119.2	Pin 5x24	1
80	YD38-3.03.00-9	trigger control rack	1
81	YD38-3.03.00-8	trigger torsion rod spring	1
82	YD38-3.03.00-7	trigger	1
83	YD38-3.00.00-6	throttle	1
84	YD38-3.03.00-10	handle cover	1

85	YD38-3.01.06.00-00	carburetor	1
86	YD38-3.01.00-17	carburetor screw	2
87	YD38-3.01.00.02-00	air intake support	1
88	YD38-3.01.00.02-1	air intake support bolt	1
89	YD38-3.06.01-00	Base	1
90	YD38-3.08.00-00	Accessories assembly	1
91	YD38-3.07.00-00	Bar cover	1
92	YD38-3.07.02-00	16'Chain	1
93	YD38-3.07.01-00	16"Guide bar	1
94	YD38-3.08.01-00	plug wrench	1
95	YD38-3.08.04-00	file	1
96	YD38-3.08.02-00	Screwdriver	1

Topsun T4116 Chainsaw Engine Unit



YD-KU01-41动力部分

Fig 2 ENGINE UNIT OF T4116				ENGINE UNIT OF T4116			
No.	Parts No.	DESCRIPTION	QTY	No.	Parts No.	DESCRIPTION	QTY
1	YD38-5.01.00-1	cylinder body	1	26	GB/T893.1	shield ring 32	1
2	GB/T6185.1	nutM5	2	27	YD38-3.01.01.01-00	oil seal 12x32x5.5	1
3	GB/T818	screw M5X14	1	28	GB/T70.1	screw M5 X 30	4
4	YD38-3.01.09.00-1	silencer cover plate	1	29	GB/T900	double-screw bolt AYM8-M8X	2
5	YD38-3.01.09.00-00	silencer body	1	30	YD38-3.01.00-9	tension block	1
6	YD38-3.01.00-6	silencer sealing plate	1	31	GB/T9074.1	adjust screw M5X48	1
7	YD38-3.01.00-10	muffler connecting screw	1	32	YD38-3.01.00-15	chain catcher	1
8	GB/T70.1	screw M5 X 20	4	33	YD38-3.01.00-16	chain catcher screw	1
9	YD38-3.01.11.05-00	spark plug NHSP LD L8RTF	1	34	YD38-3.01.00-4	damper	1
10	YD38-3.01.00-7	air intake tube sealing plate	1	35	GB/T818	screw M4X10	1
11	YD38-3.01.00-3	air intake tube	1	36	YD38-3.01.01.02-00	oil seal 12x22x7	1
12	YD38-3.01.00-8	carburetor sealing plate	1	37	YD38-3.01.11.01-00	igniter	1
13	YD38-3.01.00-5	cylinder sealing plate	1	38	GB/T818	screw M4X14	6
14	YD38-5.01.03.00-2	piston ring	1	39	YD38-3.01.11.02-00	extinction conductor	1
15	YD38-3.01.03.00-3	piston pin	1	40	GB/T6177.2	nut M8 x 1	1
16	YD38-3.01.03.00-4	piston pin circlip	2	41	YD38-3.01.10.00-00	flywheel assembly	1
17	YD38-5.01.03.04-00	piston	1	42	YD38-3.01.10.00-3	pusher dog screw	2
18	YD38-3.01.03.00-5	needle bearing ring	2	43	YD38-3.01.10.00-1	pusher dog	2
19	YD38-3.01.03.02-00	needle bearing 10x14x11	1	44	YD38-3.01.10.00-2	torsion rod spring	2
20	YD38-3.01.03.01-00	crank shaft components	1	45	YD38-3.01.10.01-00	flywheel	1
21	GB/T1099	semicircular key 3x3.5x10	1	46	YD38-3.01.13.00-00	clutch assembly	1
22	YD38-3.01.01.00-1	left crank case	1	47	YD38-3.01.13.01-1	retainer	1
23	GB/T276	bearing 6202 grade D 15X35X11	2	48	YD38-3.01.13.01-3	clutch extension spring	1
24	YD38-3.01.01.00-3	case body sealing plate	1	49	YD38-3.01.13.01-2	shoe block	1
25	YD38-3.01.01.00-2	right crank case	1	50	YD38-3.01.13.00-2	clutch adjusting washer	1

Fig 2 ENGINE UNIT OF T4116

No.	Parts No.	DESCRIPTION	QTY
51	YD38-3.01.13.00-1	clutch shell	1
52	YD38-3.01.00.01-6	needle bearing 10 x 13 x 13	1
53	YD38-3.01.00-11	worm	1
54	YD38-3.00.00-12	cover plate	1
55	YD38-3.01.15.00-00	oil pump	1
56	YD38-3.01.00-13	oil outgoing tube 3x6.5x80	1
57	YD38-3.01.00-12	worm washer 10 x 18 x 1	1
58	YD38-3.00.00-2	oil ingoing tube 3.3 x 6.5 x 68	1
59	YD38-3.00.00-17	oil tube circlip	2
60	YD38-3.00.00-3	tie-in	1
61	YD38-3.00.00-16	Base assembely	1
62	YD38-3.01.00-11	nozzle	1
63	YD38-3.01.00-12	filter net	1