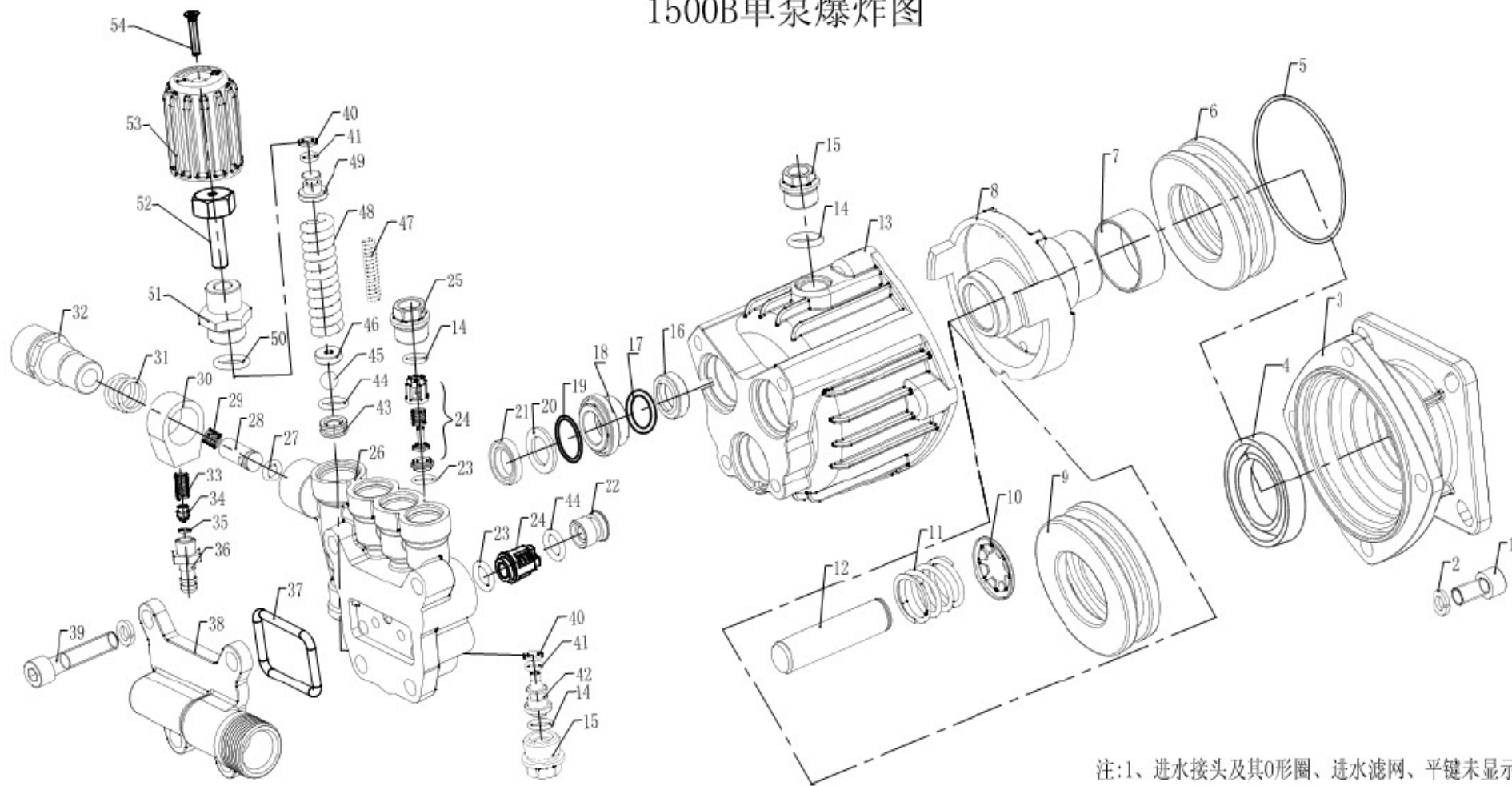


LT8.7-15A - PUMP

1500B单泵爆炸图

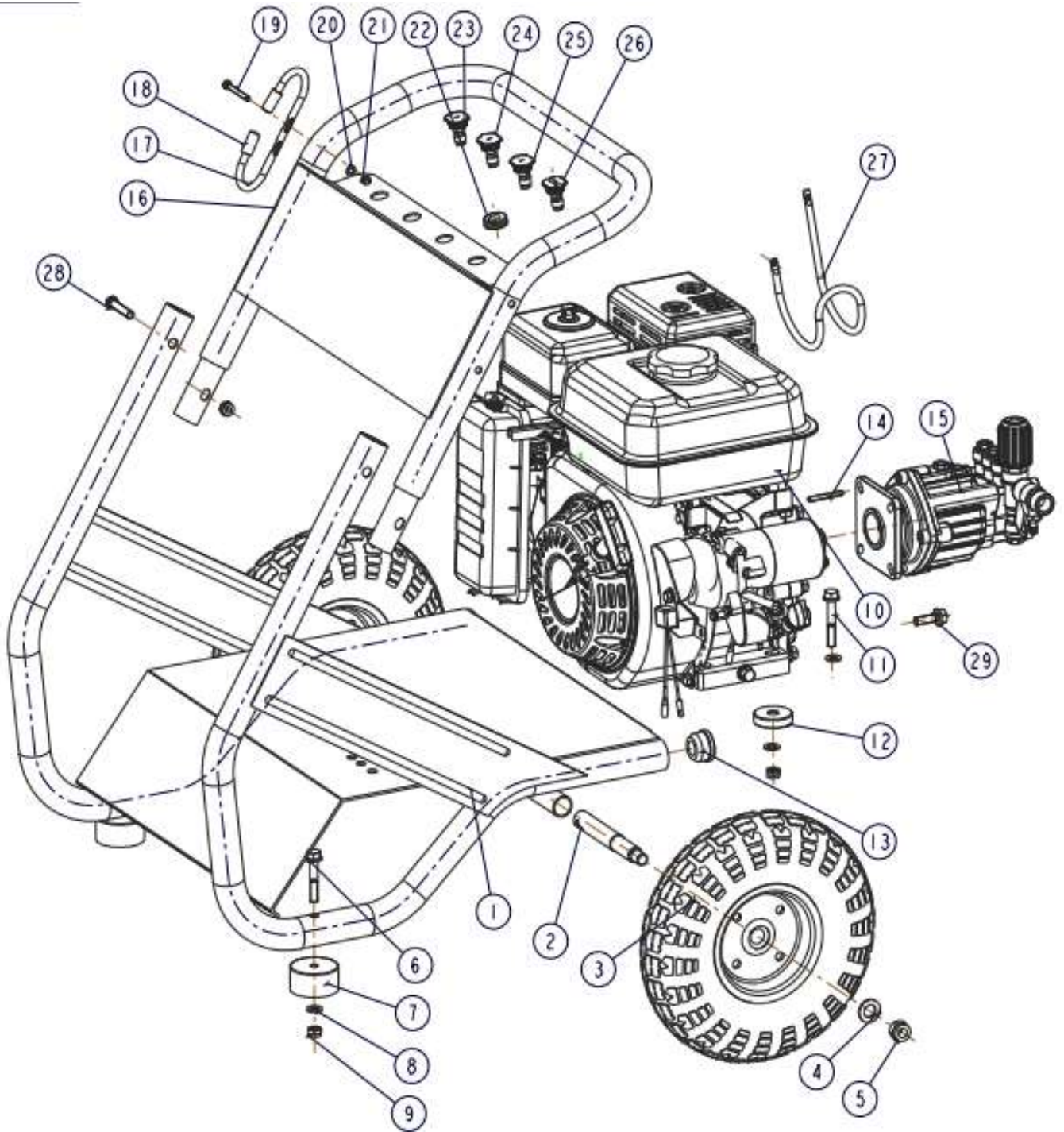


注:1、进水接头及其O形圈、进水滤网、平键未显示

LT8.7-15A - PUMP

No	Name&Size	qty	No	Name&Size	qty	No	Name&Size	qty	No	Name&Size	qty	No	Name&Size	qty
1	Screw	4	12	Plunger	3	23	O ring9.6*2	6	34	Self priming valve	1	45	Steel ball	1
2	Spring washer	8	13	Crankcase	1	24	Checking valve part	6	35	O ring 3*1.5	1	46	Pressure adjusting spring seat down	1
3	Flange	1	14	O ring 12.5*1.8	6	25	Valve cage	3	36	Suction connector	1	47	Pressure adjusting spring (inside)	1
4	Oil seal	1	15	Plunger plug	3	26	Cylinder block	1	37	Inlet connector seal	1	48	Pressure adjusting spring (outside)	1
5	O ring 80*1.8	1	16	Oil seal	3	27	O ring4*2.4	1	38	Inlet connector	1	49	Pressure adjusting spring seat up	1
6	Bearing	1	17	O ring 14*1.8	3	28	Spindle	1	39	Screw	4	50	O ring16*2	1
7	Axle sleeve	1	18	Backup ring	3	29	Outlet sping	1	40	Backup ring	2	51	Valve body	1
8	Swash plate	1	19	O ring20*1.8	3	30	Suction adaptor	1	41	O ring4.5*2	2	52	Bolt	1
9	Bearing	1	20	Water seal washer	3	31	O ring13.2*2	3	42	Pressure adjusting spindle	1	53	Pressure adjusting cap	1
10	Spring cover	3	21	Water seal	3	32	Outlet adaptor	1	43	Seat	1	54	Screw	1
11	Plunger sping	3	22	Pressure cap	3	33	Suction spring	1	44	O ring9.4*1.9	4			

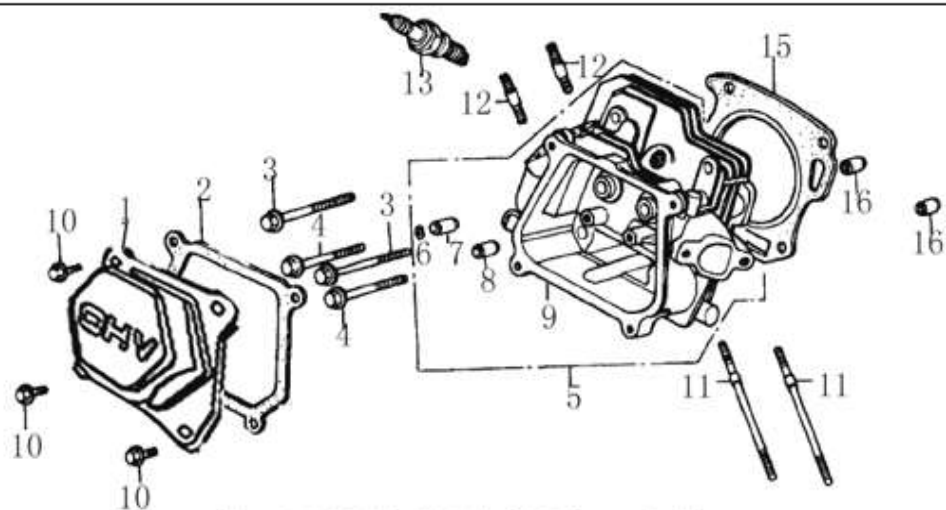
LT8. 7/15B



WHOLD EXPLODED VIEW PARTS LIST

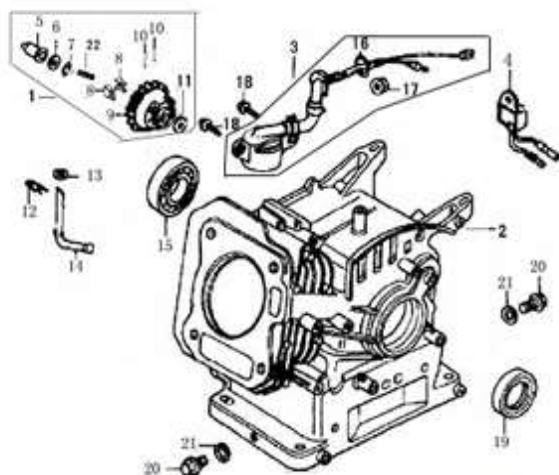
No.	Name	Quantity	No.	Name	Quantity
1	Frame	1	16	handle	1
2	wheel axle	2	17	gun hook	1
3	wheel	2	18	hook protector	2
4	gasket 12	2	19	cheese head boltM5X45	4
5	hexagon nuts M12	2	20	gasket 5	4
6	rubber foot	2	21	hexagon nuts M5	4
7	hexagon screw M8x45	2	22	nozzle gasket	4
8	gasket D8	10	23	0°nozzle	1
9	hexagon locknut M8	8	24	25°nozzle	1
10	engine	1	25	45°nozzle	1
11	hexagon screw M8x50	4	26	85°nozzle	1
12	foot	4	27	16M hook	1
13	casing cap	2	28	cheese head boltM8X40	2
14	key 4.7x4.7x40	1	29	hexagon screw M8x25	4
15	high pressure pump	1			

气缸头组件 Cylinder Head



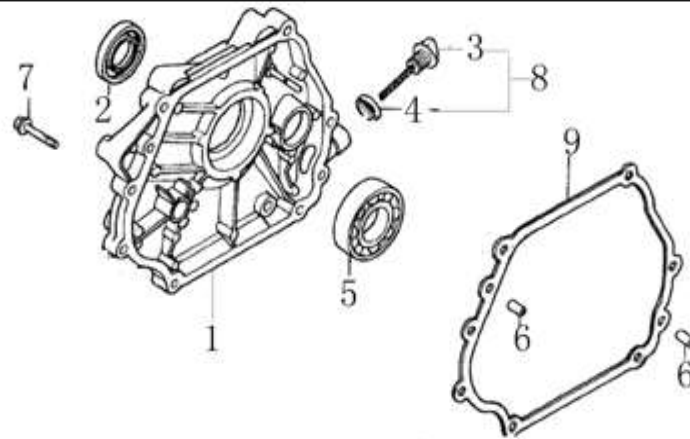
序号 No.	零部件编号 Part No.	English	数量QTY	序号 No.	零部件编号 Part No.	English	数量QTY
1	11221-KB01-0100	COVER COMP, HEAD	1	12	91138-KB03-0000	STUD, 8×34	2
2	90229-KB01-0000	GASKET, HEAD COVER	1	13	81300-KB01-0000	PLUG, SPARK	1
3	B057890008005570B	BOLT, FLANGE, 8×55	2	14	18007-KB01-0000	GASKET, MUFFLER	1
4	B057890008005570N	BOLT, FLANGE, 8×55	2	15	9022B-KB01-0000	GASKET, CYLINDER HEAD	1
5	1122B-KB01-0000	CYLINDER HEAD COMP	1	16	91521-10001600000	PIN, DOWEL, 10×16	2
6	B000930006000000B	CLIP, VALVE GUIDE	1				
7	11247-KB01-0000	GUIDE, EX. VALVE	1				
8	11246-KB01-0000	GUIDE, IN. VALVE	1				
9	11245-KB01-0000	CYLINDER HEAD	1				
10	B057890006001470B	BOLT, FLANGE, 6×14	4				
11	91127-KB01-0000	STUD, 6×113	2				

箱体组件Crankcase Comp.



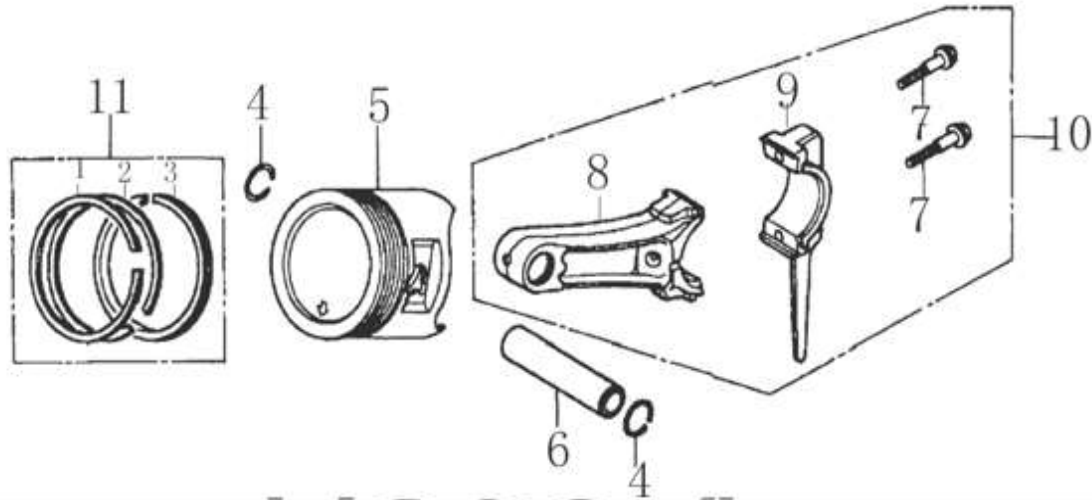
序号	零部件编号	English	数量QTY	序号	零部件编号	English	数量QTY
No.	Part No.	English		No.	Part No.	English	
1	24620-KB01-0000	GOVERNOR GEAR KIT	1	12	24606-KB01-0000	PIN, LOCK	1
2	12007-KB01-0000	CRANKCASE COMP.	1	13	90101-10052000190	O-RING	1
3	87400-KB01-0000	OIL SENSOR	1	14	24605-KB01-0000	GOVERNOR ARM	1
4	87420-KB01-0000	AMPLIFIER	1	15	92102-00000006205	RADIAL BALL BEARING(6205)	1
5	24622-KB01-0000	SLIDER, GOVERNOR	1	16	90101-100900000180	O-RING, 9MM	1
6	24628-KB01-0000	WASHER	1	17	B061770110000060B	NUT, FLANGE, 10MM	1
7	24623-KB01-0000	CLIP, GOVERNOR HOLDER	1	18	B057890006001670B	BOLT, FLANGE, 6×16	2
8	24624-KB01-0000	WEIGHT, GOVERNOR	2	19	T1105025004125600	OIL SEAL, 25×41.25×6	1
9	24626-KB01-0000	SLAVE GEAR GOVERNOR	1	20	91103-KB01-0000	BOLT, DRAIN PLUG	2
10	24625-KB01-0000	PIN, GOVERNOR WEIGHT	2	21	91302-91001516000	WASHER, 10×16×1.5	2
11	24628-KB01-0000	WASHER	2	22	24621-KB01-0000	SHAFT	1

左箱盖 Crankcase Cover



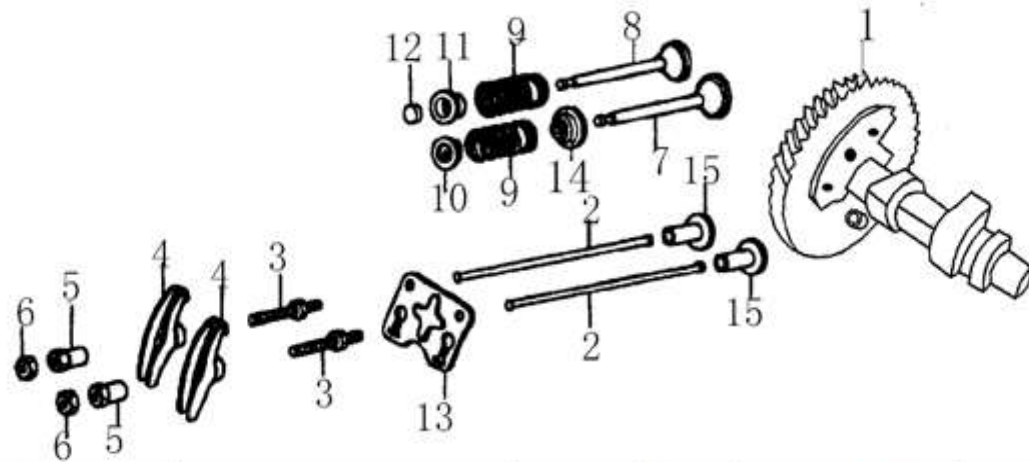
序号	零部件编号	English	数量 QTY	序号	零部件编号	English	数量 QTY
No.	Part No.	English	Quantity	No.	Part No.	English	Quantity
1	12301-KB01-0000	COVER COMP, LEFT CRANKCASE	1				
2	T1105025004125600	OIL SEAL, 25×41.25×6	1				
3	14312-KB01-0000	DIPSTICK	1				
4	14303-KB01-0000	O-RING	1				
5	92102-00000006205	BEARING, 6205	1				
6	91521-08001400000	PIN, DOWEL, 8×14	2				
7	B057890008003270B	BOLT, FLANGE, 8×32	6				
8	14311-KB01-0000	OIL FILLER PLUG COMP	1				
9	90208-KB01-0000	GASKET, CASE COVER	1				

活塞 Crankshaft. piston



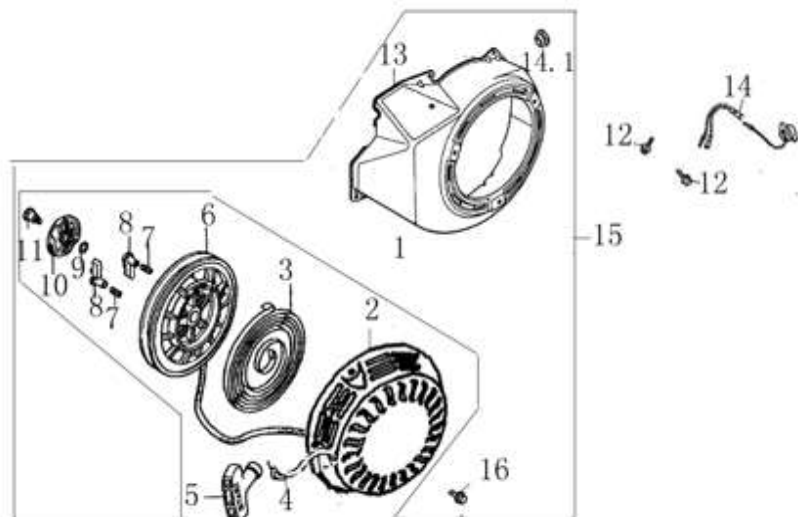
序号	零部件编号	English	数量QTY	序号	零部件编号	English	数量
No.	Part No.	English		No.	Part No.	English	
1	13103-KB01-0000	FIRST RING SET, PISTON	1				
2	13104-KB01-0000	SECOND RING SET, PISTON	1				
3	13120-KB01-0000	OIL RING SET, PISTON	1				
4	13105-KB01-0000	CLIP, PISTON PIN	2				
5	13101-KB01-0000	PISTON	1				
6	13102-KB01-0000	PIN, PISTON	1				
7	13215-KB01-0000	BOLT, CONNECTING ROD	2				
8	13204-KB01-0000	CONNECTING ROD	1				
9	13214-KB01-0000	CONNECTING ROD COVER	1				
10	13220-KB01-0000	CONNECTING ROD COMP	1				
11	1310A-KB01-0000	RING SET COMP, PISTON	1				

凸轮轴 (配气机构) Camshaft



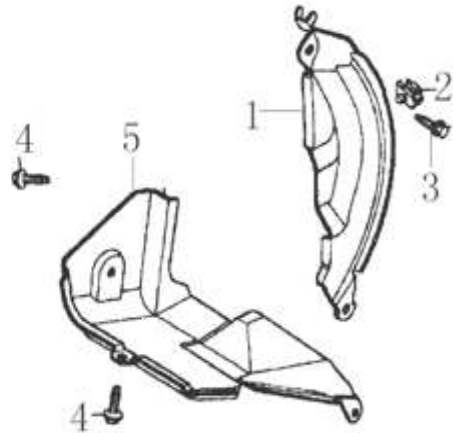
序号	零部件编号	English	数量 QTY	序号	零部件编号	English	数量 QTY
No.	Part No.	English		No.	Part No.	English	
1	15100-KB01-0000	CAMSHAFT ASSY.	1	13	15408-KB01-0000	PLATE, PUSH ROD GUIDE	1
2	15321-KB01-0000	ROD, PUSH	2	14	1572B-KB03-0000	VALVE SEAL	1
3	15415-KB01-0000	BOLT, PIVOT	2	15	15002-KB01-0000	LIFTER, VALVE	2
4	15401-KB01-0000	ARM, VALVE ROCKER	2				
5	15403-KB01-0000	ADJUSTING NUT, VALVE	2				
6	15414-KB01-0000	NUT, PIVOT ADJUSTING	2				
7	15701-KB01-0000	VALVE, INLET	1				
8	15702-KB01-0000	VALVE, EXHAUST	1				
9	15703-KB01-0000	SPRING, VALVE	2				
10	15711-KB01-0000	INTAKE VALVE SPRING SEAT	1				
11	15712-KB01-0000	EXHAUST VALVE SPRING SEAT	1				
12	15713-KB01-0000	ADJUSTER, EX. VALVE	1				

反冲起动机 Recoll Starter



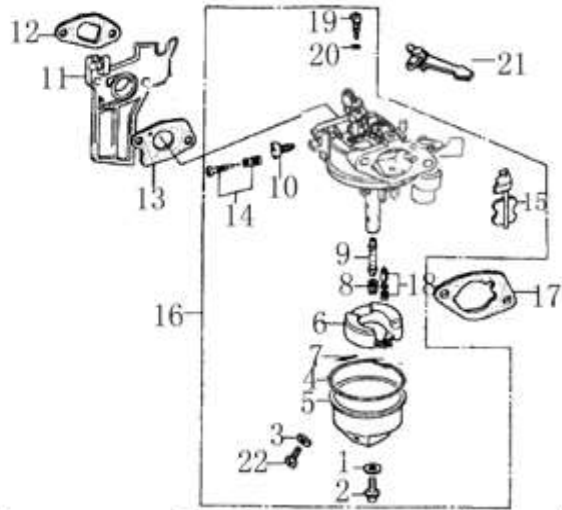
序号 No.	零部件编号 Part No.	English	数量QTY	序号 No.	零部件编号 Part No.	English	数量QTY
1	21510-KB01-0600	STARTER COMP., RECOIL	1	14	72380-KB01-0000	SWITCH ASSY, ENGINE STOP	1
2	21519-KB01-0000	STARTER COVER COMP., RECOIL	1	14.1	21531-KB01-0000	GROMMET, DRAIN HOLE	1
3	21514-KB01-0000	SPRING, STARTER RETURN	1	15	21500-KB01-5100	RECOIL STARTER ASSY	1
4	21517-KB01-0000	ROPE, RECOIL STARTER	1	16	B057870006001070B	BOLT, FLANGE, 6×10	3
5	21516-KB01-0000	HANDLE, STARTER	1				
6	21511-KB01-0000	REEL, RECOIL STARTER	1				
7	21515-KB01-0000	SPRING, RETURN	2				
8	21512-KB01-0000	RATCHET, STARTER	2				
9	21518-KB01-0000	SPRING	1				
10	21513-KB01-0000	RATCHET, GUIDE	1				
11	21521-KB01-0000	SCREW, SETTING	1				
12	B057890006001470B	BOLT, FLANGE, 6×14	5				
13	21530-KB01-0400	FAN COVER COMP.	1				

号流平 Side Plate



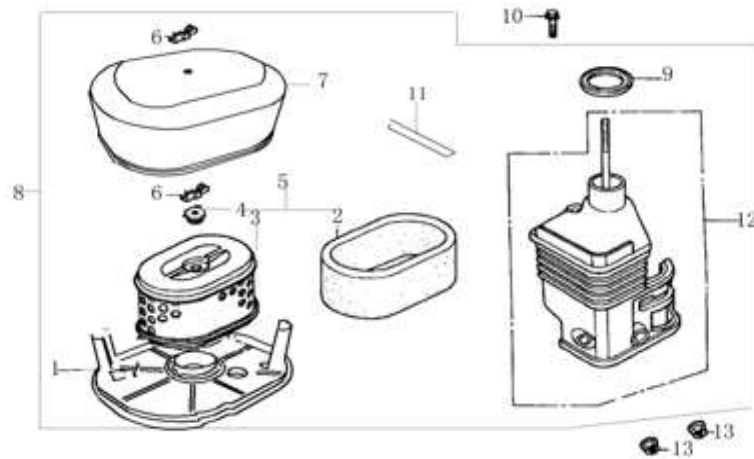
序号	零部件编号	English	数量QTY	序号	零部件编号	English	数量QTY
No.	Part No.	English		No.	Part No.	English	
1	19112-KB01-0000	SHROUD COMP.	1				
2	10061-KB01-0000	CLIP, WIRE	1				
3	B057890006002070B	BOLT, FLANGE, 6×20	1				
4	B057890006001070B	BOLT, FLANGE, 6×10	2				
5	19113-KB01-0000	PLATE, SIDE	1				

化油器总成 Carburettor



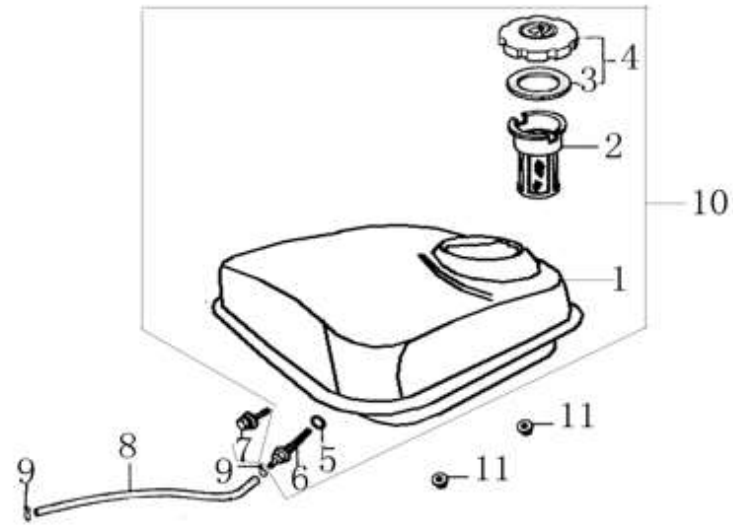
序号 No.	零部件编号 Part No.	English	数量QTY	序号 No.	零部件编号 Part No.	English	数量QTY
1	17189-KB01-0000	GASKET	1	15	17154-KB01-0000	CHOKE SET	1
2	17159-KB01-0000	SCREW	1	16	17100-KB01-0000	CARBURETOR Assy.	1
3	17188-KB01-0000	GASKET	1	17	17113-KB01-0000	PACKING, AIR CLEANER	1
4	17157-KB01-0000	GASKET	1	18	17170-KB01-0000	VALVE SET, FLOAT	1
5	17153-KB01-0000	CHAMBER SET, FLOAT	1	19	17161-KB01-0000	JET SET, PILOT	1
6	17152-KB01-0000	FLOAT SET	1	20	17194-KB01-0000	CARBURETOR PACKING	1
7	17171-KB01-0000	SHAFT SET, FLOAT	1	21	17163-KB01-0000	LEVER COMP., CHOKE	1
8	17162-KB01-0000	JET, MAIN	1	22	17186-KB01-0000	DRAIN SCREW SET	1
9	17168-KB01-0000	NOZZLE, MAIN	1				
10	17158-KB01-0000	SCREW, THROTTLE ADJUSTING	1				
11	17112-KB01-0000	INSULATOR, CARBURETOR	1				
12	17107-KB01-0000	PACKING, INSULATOR	1				
13	17182-KB01-0000	PACKING, CARBURETOR	1				
14	17120-KB01-0000	SCREW SET, PILOT	1				

空气滤清器 Air Cleaner



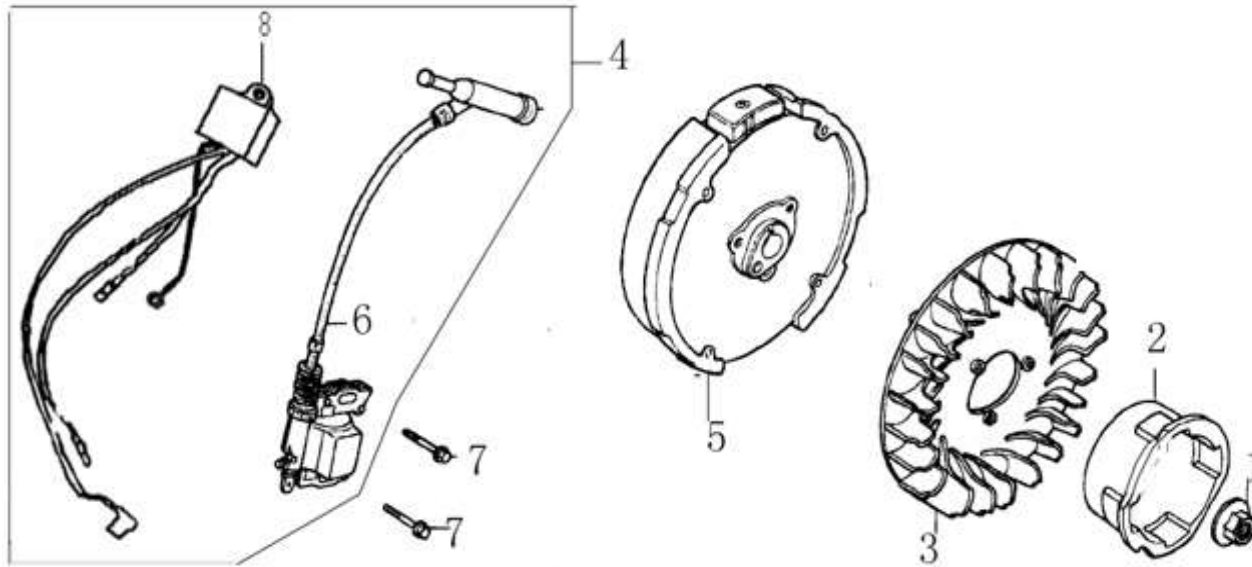
序号 No.	零部件编号 Part No.	English	数量QTY	序号 No.	零部件编号 Part No.	English	数量QTY
1	16110-KB01-0000	SILENCER PLATE	1				
2	16104-KB01-0000	SPENGE ELEMENT ,AIR CLEANER	1				
3	16108-KB01-0000	PAPER ELEMENT , AIR CLEANER	1				
4	16118-KB01-0000	GROMMET, AIR CLEANER	1				
5	16101-KB01-0000	ELEMENT, AIR CLEANER	1				
6	16153-KB01-0000	BUTTERFLY NUT	2				
7	16105-KB01-0100	COVER , AIR CLEANER	1				
8	16100-KB01-0000	AIR CLEANER ASSY	1				
9	16102-KB01-0000	PACKING, ELBOW	1				
10	B057890006002070B	BOLT, FLANGE, 6×20	1				
11	12104-KB01-0000	BREATHER HOSE	1				
12	16127-KB01-0000	ELBOW COMP. , AIR CLEANER	1				
13	B061770006000070B	NUT, FLANGE, 6MM	2				

油箱 Tank



序号	零部件编号	English	数量QTY	序号	零部件编号	English	数量QTY
No.	Part No.	English	数量QTY	No.	Part No.	English	数量QTY
1	61110-KB01-0000	TANK COMP., FUEL	1				
2	61130-KB01-0000	FILTER, FUEL	1				
3	61122-KB01-0000	PACKING, FUEL FILLER CAP	1				
4	61120-KB01-0000	CAP COMP., FUEL FELLER	1				
5	17007-KB01-0000	PACKING	1				
6	17006-KB01-0000	JOINT, FUEL TANK	1				
7	B057890006002870B	BOLT, FLANGE, M6×28	1				
8	T2999904000800165	TUBE, FUEL, $\phi 4 \times \phi 8 \times 165$	1				
9	17020-KB01-0000	CLIP, TUBE	2				
10	61100-KB01-0000	TANK FUEL	1				
11	B061700008000000B	NUT, FLANGE, M8	2				

飞轮 Flywheel



序号	零部件编号	English	数量QTY	序号	零部件编号	English	数量QTY
No.	Part No.	English		No.	Part No.	English	
1	B061770004000070B	NUT, SPECIAL, M14	1				
2	21520-KB01-0000	PULLEY, STARTER	1				
3	19102-KB01-0000	FAN, COOLING	1				
4	81200-KB01-0000	COIL ASSY., IGNITION	1				
5	82150-KB01-0000	FLYWHEEL COMP.	1				
6	81100-MB30-0000	HIGH VOLTAGE BOX	1				
7	B057890006002570B	BOLT, FLANGE, M6×25	2				
8	09003-KB01-0000	TRIGGER, IGNITION	1				

