



**ARIENS**

# **IKON XD CE**

## **Parts Manual**

*Models:*

**915340 – IKON XD 42 CE**  
(SN 000101 +)

**915341 – IKON XD 52 CE**  
(SN 000101 +)

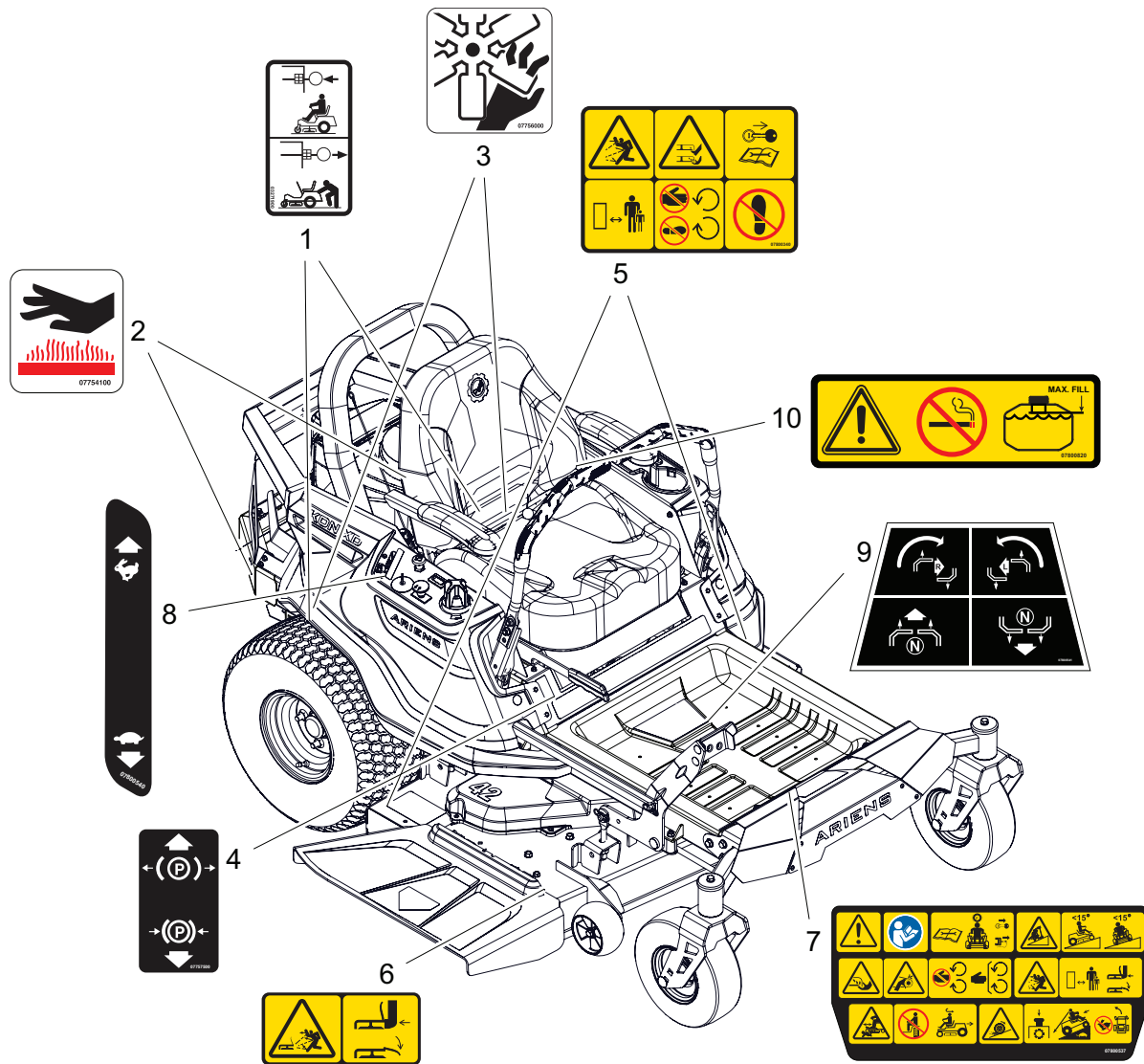
# TABLE OF CONTENTS

---

Decals – Safety .....	3
Decals – Style – 42" .....	4
Decals – Style – 52" .....	5
Frame .....	6
Engine – Kawasaki FR651 .....	7
Engine – Kawasaki FR691 .....	8
Seat .....	9
Engine Guard .....	10
Fenders .....	11
Fuel System.....	12
Control Panel.....	13
Electrical .....	14
Wiring Diagram.....	15
Front Caster Wheels.....	16
Rear Tires and Transaxles – 42" .....	17
Rear Tires and Transaxles – 52" .....	18
Transaxle Drive .....	19
Controls .....	20
Parking Brake .....	21
Deck Lift.....	22
Height of Cut.....	23
Deck, Belt, Blades and Spindles – 42" .....	24
Deck, Belt, Blades and Spindles – 52" .....	25
Idlers and Sheaves – 42" .....	26
Idlers and Sheaves – 52" .....	27
Anti-Scalp Wheels – 42" .....	28
Anti-Scalp Wheels – 52" .....	29
Belt Covers and Deck Guard – 42" .....	30
Belt Covers and Deck Guard – 52" .....	31
Discharge Chute.....	32

# DECALS – SAFETY

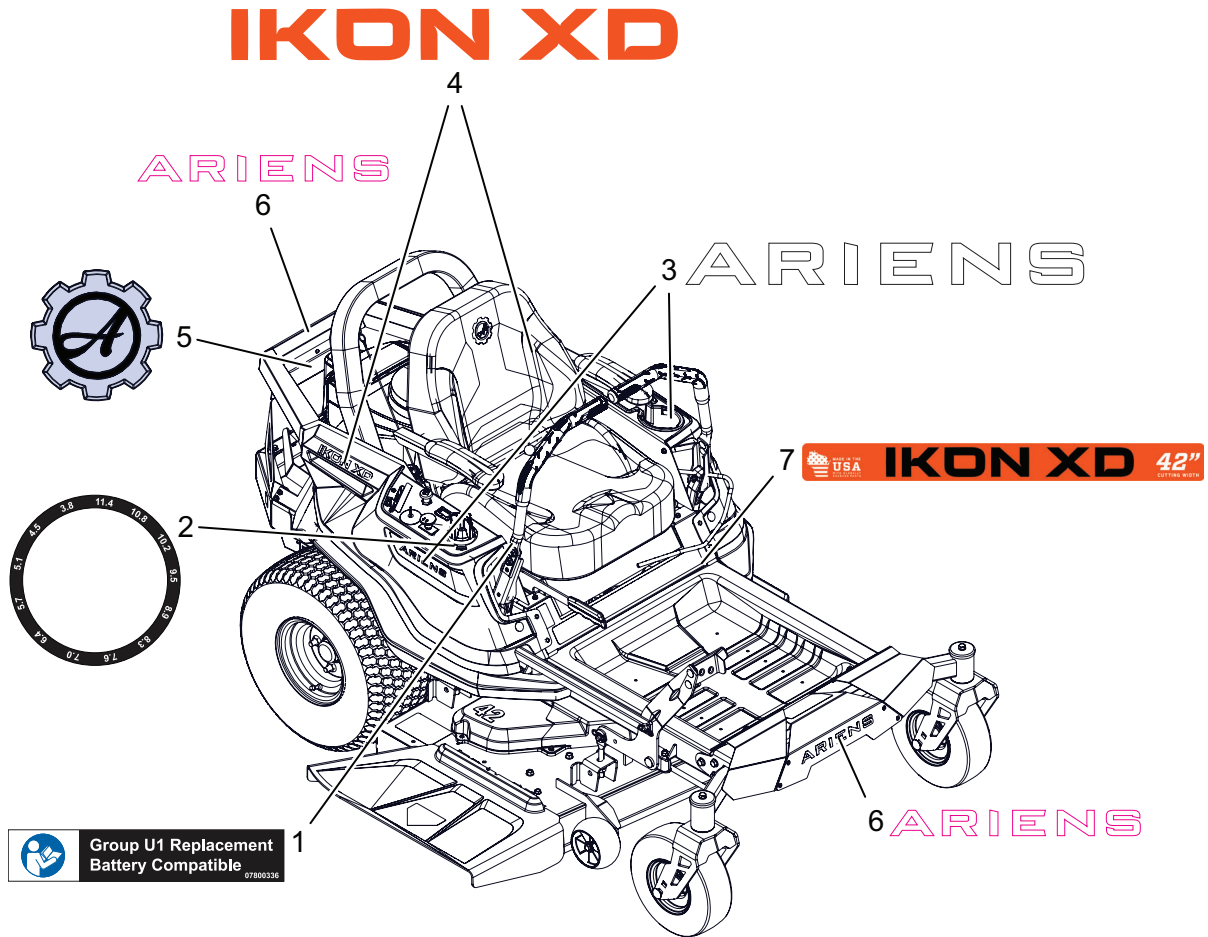
Model All



BOM ID	Number	Qty	Description
1	03271900	2	DECAL, TRANSMISSION DISCONNECT
2	07754100	2	DECAL, HOT SURFACE
3	07756000	2	DECAL, DANGER - FAN
4	07757500	1	DECAL, PARKING BRAKE LEVER
5	07800340	2	DECAL, SAFETY - MOWER DECK
6	07800402	1	DECAL, SAFETY - DECK GUARDING
7	07800537	1	DECAL, MAIN SAFETY
8	07800540	1	DECAL, DASH
9	07800541	1	DECAL, INSTRUCTION - STEERING
10	07800820	1	DECAL, FUEL WARNING

# DECALS – STYLE – 42"

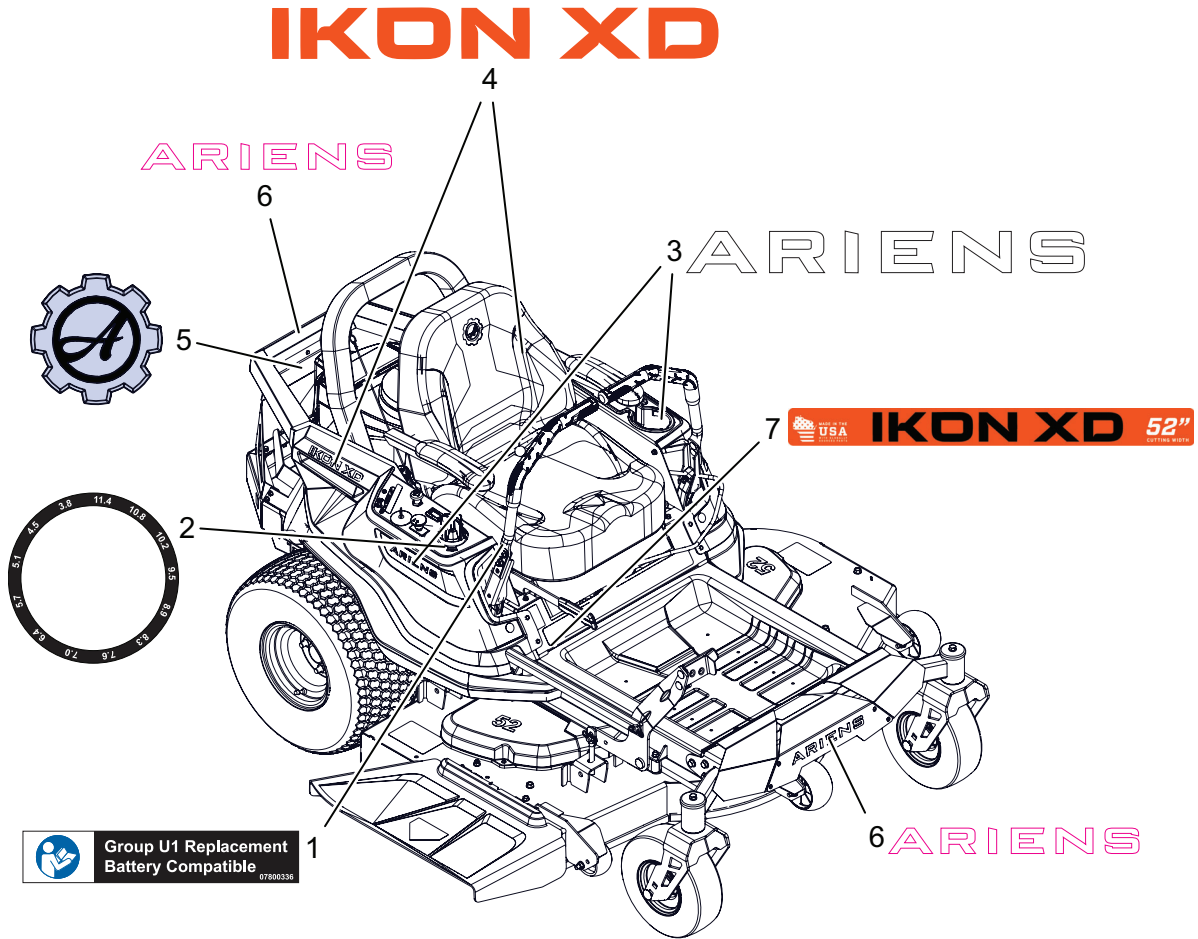
Model 915340



BOM ID	Number	Qty	Description
1	07800336	1	DECAL, INSTRUCTION - U1 REPLACEMENT BATTERY
2	07800704	1	DECAL, CUT HEIGHT - CE
3	07800829	2	DECAL, ARIENS 6.00"
4	07801319	2	DECAL, FENDER - IKON XD
5	07801434	1	DECAL, ARIENS GEAR BADGE
6	08001108	2	DECAL, ARIENS - BADGE
7	07801322	1	DECAL, IKON XD - 42

# DECALS – STYLE – 52"

Model 915341

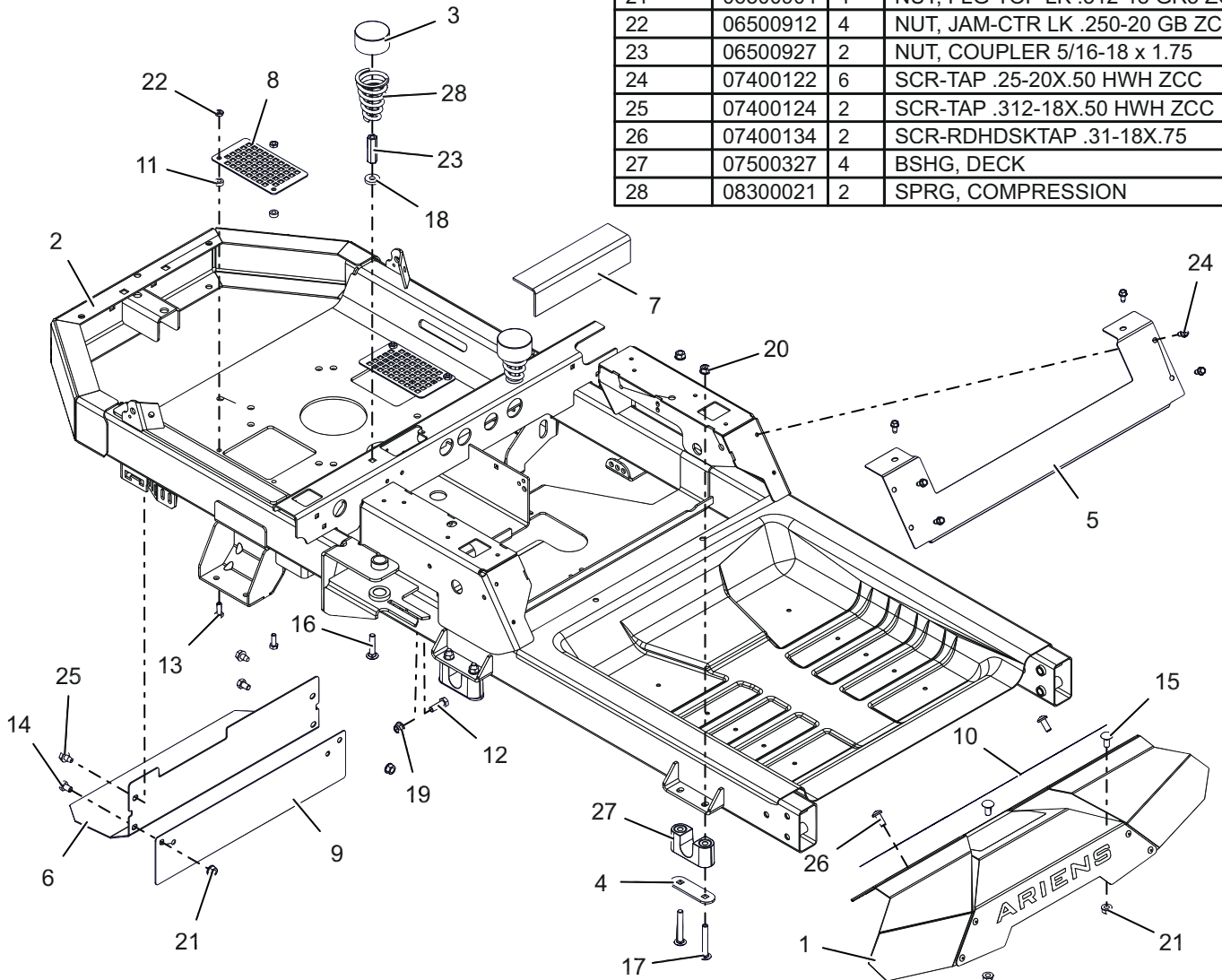


BOM ID	Number	Qty	Description
1	07800336	1	DECAL, INSTRUCTION - U1 REPLACEMENT BATTERY
2	07800704	1	DECAL, CUT HEIGHT - CE
3	07800829	2	DECAL, ARIENS 6.00"
4	07801319	2	DECAL, FENDER - IKON XD
5	07801434	1	DECAL, ARIENS GEAR BADGE
6	08001108	2	DECAL, ARIENS - BADGE
7	07801323	1	DECAL, IKON XD - 52

# FRAME

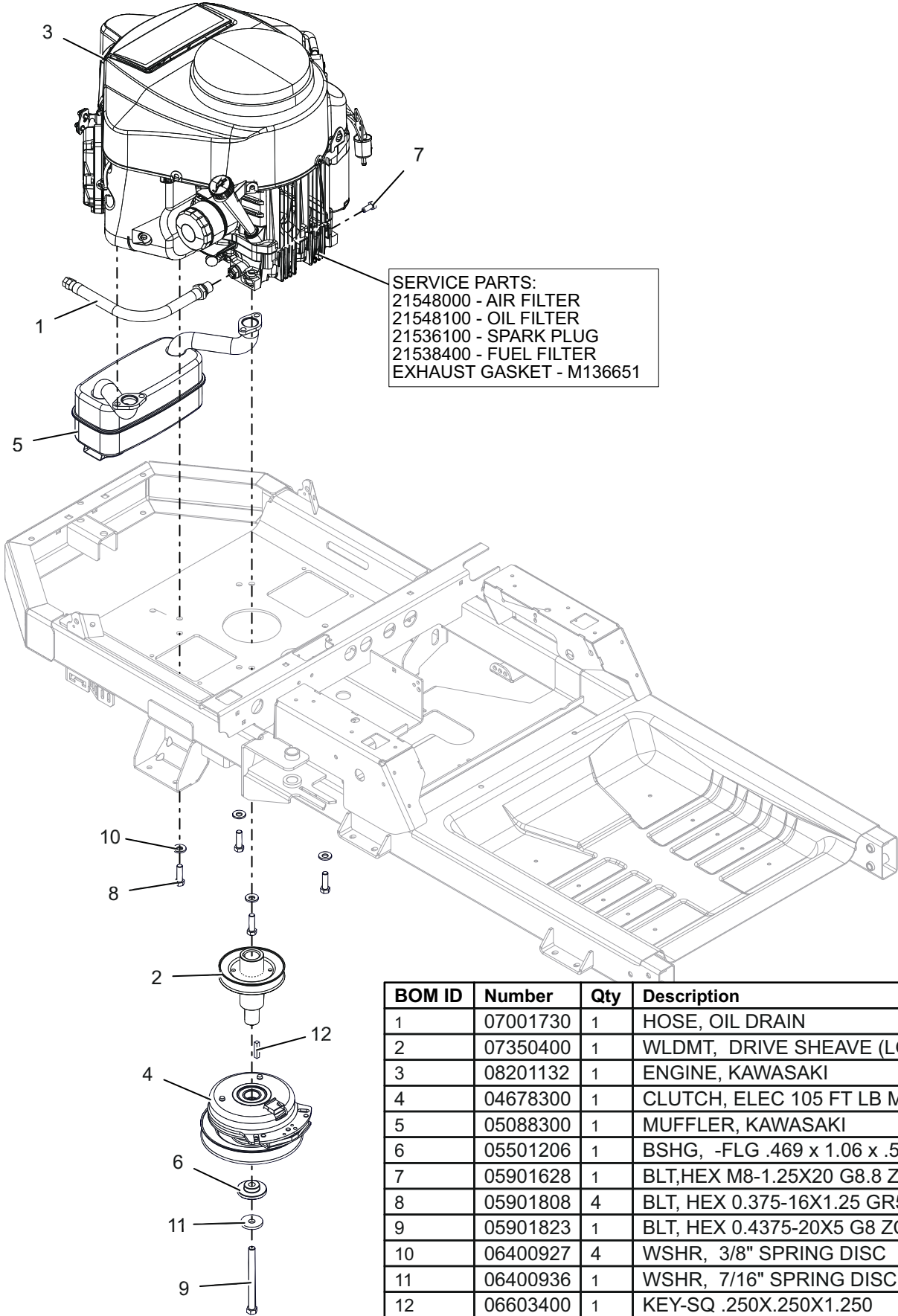
## Model All

BOM ID	Number	Qty	Description
1	51531300	1	KIT, IKON FOOTREST W/ DECAL
2	51535000	1	WLDMT, FRAME IKON
3	00337700	2	HUB CAP
4	04766551	4	PLATE, BEARING SUPPORT (BLACK)
5	04772359	1	PLATE, SEAT KICK
6	04807951	1	HEAT, SHIELD
7	04864600	1	PAD, RBR -TANK
8	04991100	2	GUARD, VENT
9	05091151	1	GUARD, REAR ,CLUTCH (BLACK)
10	05112300	1	GRIP, FOOT PLATE
11	05501012	4	BUSHING SLEEVED .265X.500X.219
12	05901701	1	BLT, HEX 0.3125-18X1 GR5 ZC120
13	05901716	4	BLT, HEX 0.25-20X0.75 GR5 ZC120
14	05901904	2	BLT, HEX 0.3125-18X0.5 GR5 ZCC
15	06200232	2	BLT,RHSN .313-18 X 0.75 G5 ZCC
16	06200233	2	BLT,RHSN .313-18 X 1.5 G5 ZCC
17	06200311	8	BLT,RHSSN .313-18 X 2.25 G5 ZCC
18	06401103	2	WSHR-FL-STL 0.328X0.87X0.179 ZCC
19	06500809	1	NUT, LK-NYL-FLG .31-18 GR5 ZC120
20	06500840	8	NUT, FLG-CTR LK .312-18 GR5 ZCC
21	06500904	4	NUT, FLG-TOP LK .312-18 GR5 ZCC
22	06500912	4	NUT, JAM-CTR LK .250-20 GB ZCC
23	06500927	2	NUT, COUPLER 5/16-18 x 1.75
24	07400122	6	SCR-TAP .25-20X.50 HWH ZCC
25	07400124	2	SCR-TAP .312-18X.50 HWH ZCC
26	07400134	2	SCR-RDHDSKTAP .31-18X.75
27	07500327	4	BSHG, DECK
28	08300021	2	SPRG, COMPRESSION



# ENGINE – KAWASAKI FR651

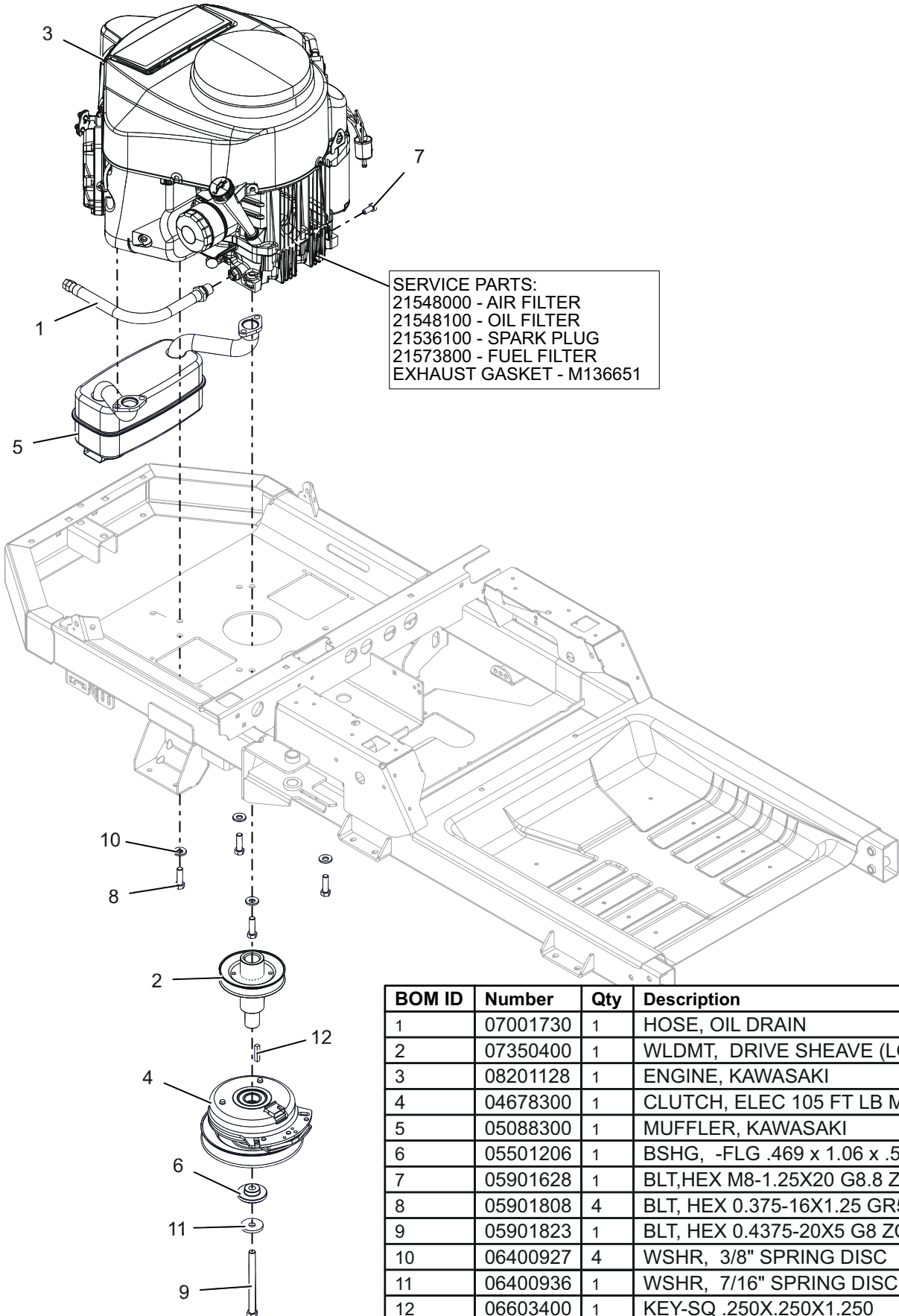
Model 915340



BOM ID	Number	Qty	Description
1	07001730	1	HOSE, OIL DRAIN
2	07350400	1	WLDMT, DRIVE SHEAVE (LONG)
3	08201132	1	ENGINE, KAWASAKI
4	04678300	1	CLUTCH, ELEC 105 FT LB MONOPOLE 6.83"
5	05088300	1	MUFFLER, KAWASAKI
6	05501206	1	BSHG, -FLG .469 x 1.06 x .574 x 2.0
7	05901628	1	BLT,HEX M8-1.25X20 G8.8 ZC120
8	05901808	4	BLT, HEX 0.375-16X1.25 GR5 ZCC NT
9	05901823	1	BLT, HEX 0.4375-20X5 G8 ZCC NT
10	06400927	4	WSHR, 3/8" SPRING DISC
11	06400936	1	WSHR, 7/16" SPRING DISC
12	06603400	1	KEY-SQ .250X.250X1.250

# ENGINE – KAWASAKI FR691

Model 915341

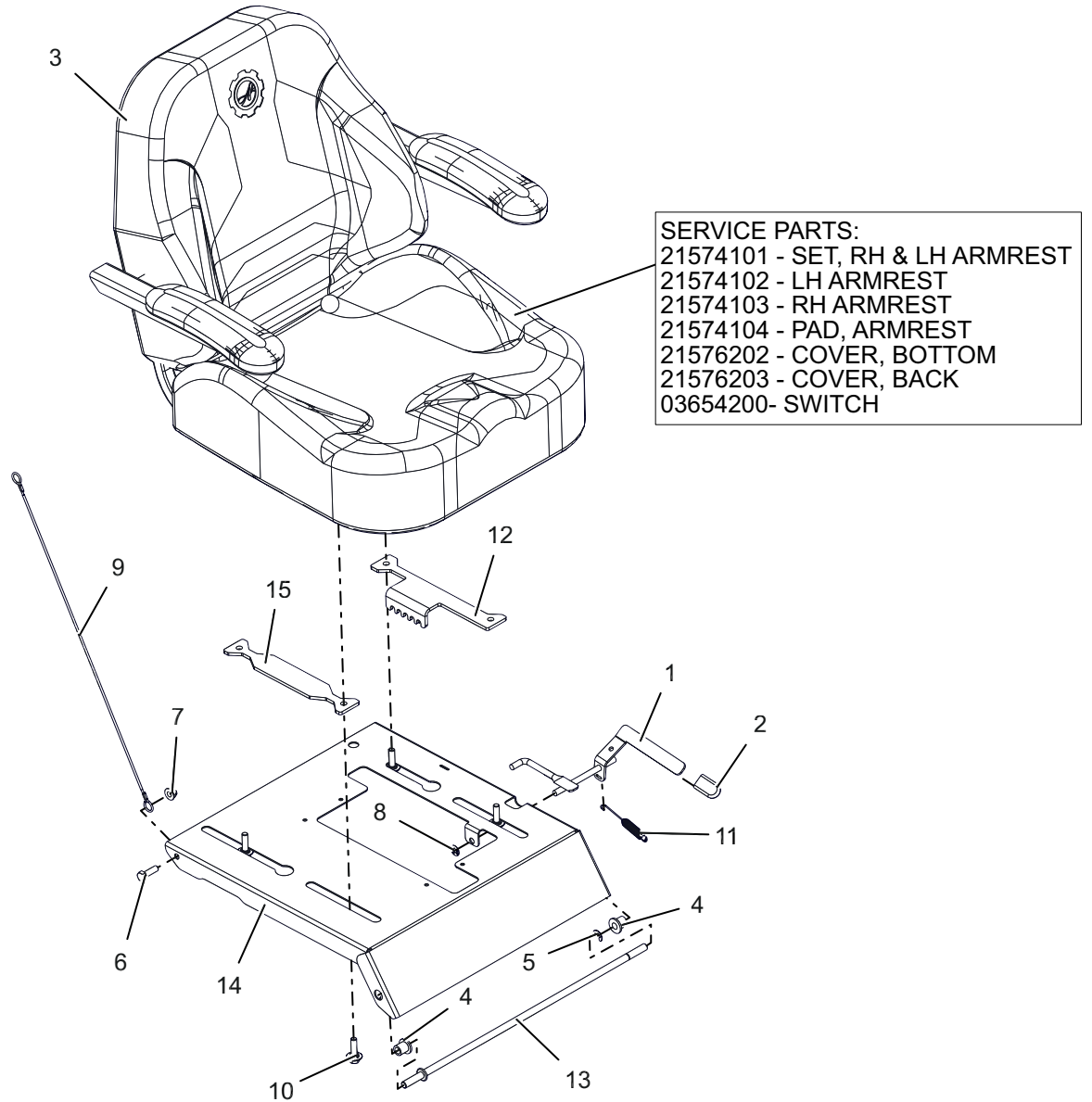


BOM ID	Number	Qty	Description
1	07001730	1	HOSE, OIL DRAIN
2	07350400	1	WLDMT, DRIVE SHEAVE (LONG)
3	08201128	1	ENGINE, KAWASAKI
4	04678300	1	CLUTCH, ELEC 105 FT LB MONOPOLE 6.83"
5	05088300	1	MUFFLER, KAWASAKI
6	05501206	1	BSHG, -FLG .469 x 1.06 x .574 x 2.0
7	05901628	1	BLT,HEX M8-1.25X20 G8.8 ZC120
8	05901808	4	BLT, HEX 0.375-16X1.25 GR5 ZCC NT
9	05901823	1	BLT, HEX 0.4375-20X5 G8 ZCC NT
10	06400927	4	WSHR, 3/8" SPRING DISC
11	06400936	1	WSHR, 7/16" SPRING DISC
12	06603400	1	KEY-SQ .250X.250X1.250



# SEAT

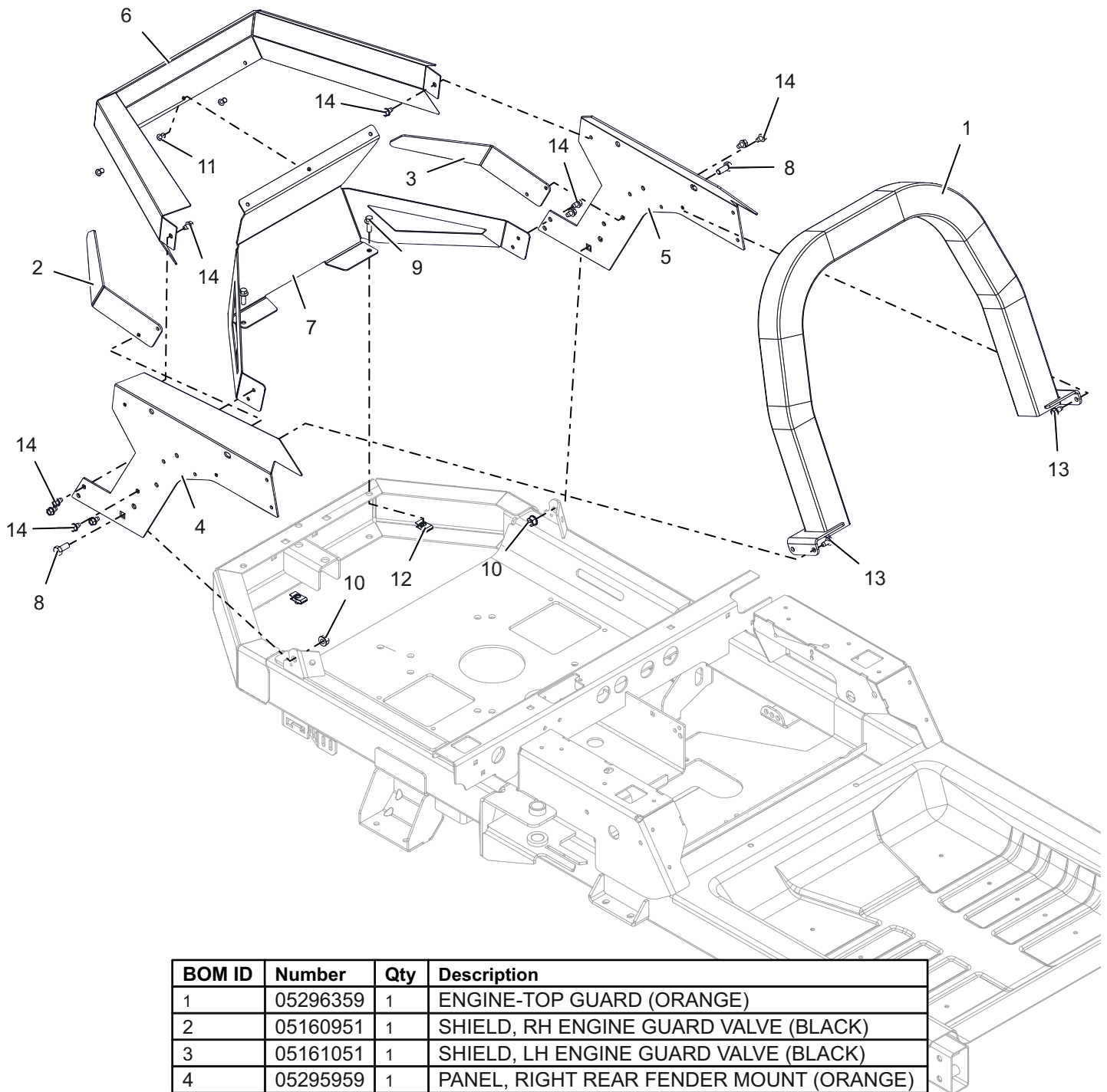
## Model All



BOM ID	Number	Qty	Description
1	04756451	1	WLDMT, ADJUSTABLE SEAT LATCH
2	04396600	1	GRIP, SEAT LEVER
3	05180900	1	SEAT, IKON - 2022
4	05501231	2	BUSHING FLANGED .380 X .580 X .667 X .875
5	05710600	1	RING, RETAINING-E .375X.035
6	05901701	1	BLT, HEX 0.3125-18X1 GR5 ZC120
7	06500809	1	NUT, LK-NYL-FLG .31-18 GR5 ZC120
8	06514900	1	NUT, PUSH .312
9	06900623	1	CABLE, WIRE (LANYARD)-.093X19.5
10	07001930	4	BLT, SHLDR .31-18 X .100
11	08321100	1	SPRG, EXTENSION - .043 X .440 X 3.310
12	09387300	1	PLATE, ADJUSTABLE SEAT TRACK (BLACK)
13	09448000	1	ROD, SEAT PIVOT
14	09461059	1	PLATE, SEAT (ORANGE)
15	09484351	1	PLATE, ADJUSTABLE SEAT TRACK (BLACK)

# ENGINE GUARD

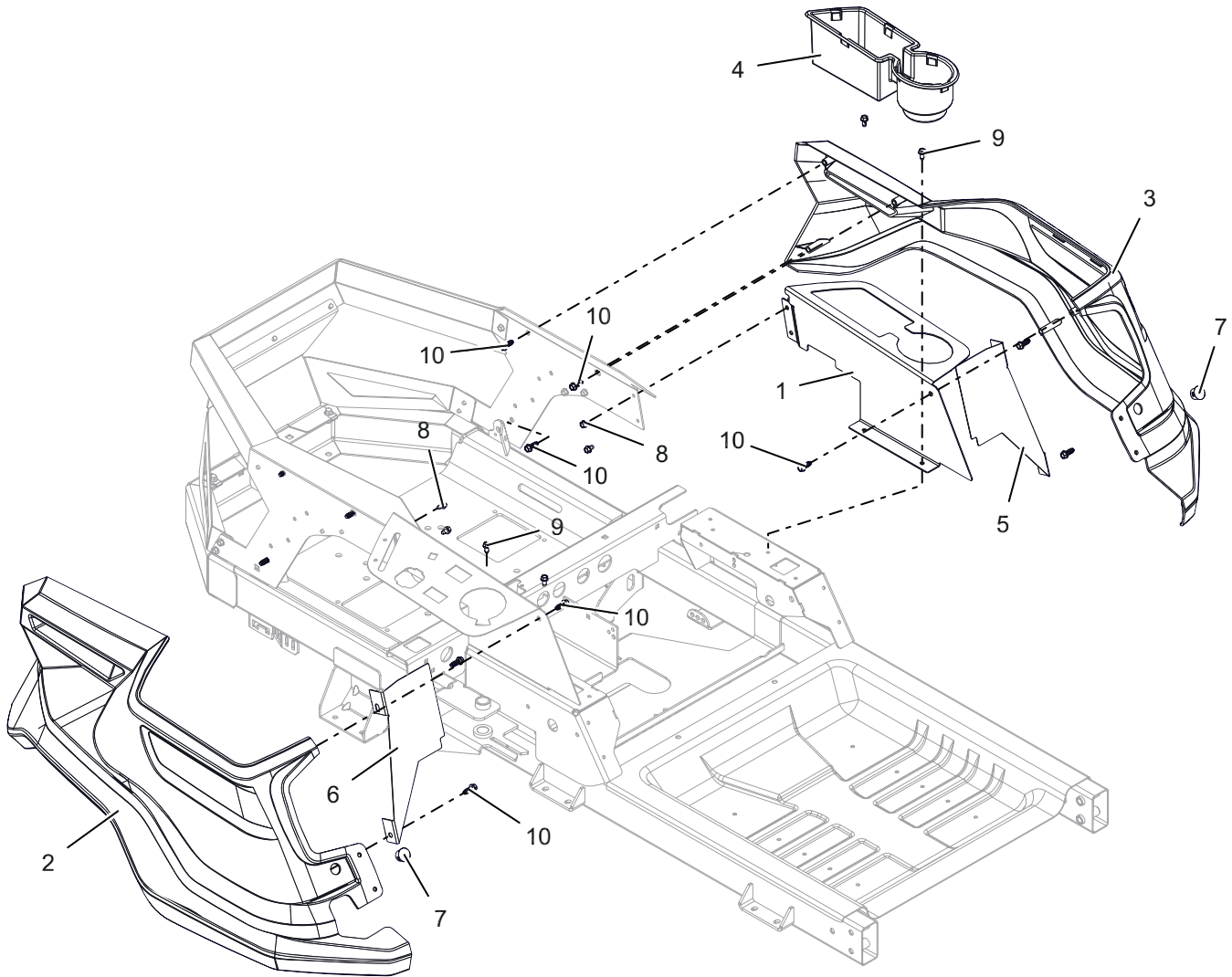
Model All



BOM ID	Number	Qty	Description
1	05296359	1	ENGINE-TOP GUARD (ORANGE)
2	05160951	1	SHIELD, RH ENGINE GUARD VALVE (BLACK)
3	05161051	1	SHIELD, LH ENGINE GUARD VALVE (BLACK)
4	05295959	1	PANEL, RIGHT REAR FENDER MOUNT (ORANGE)
5	05296059	1	PANEL, LH REAR FENDER MOUNT (ORANGE)
6	05296159	1	GUARD, ENGINE WRAP (ORANGE)
7	05296251	1	GUARD, ENGINE -BOTTOM (BLACK)
8	05901704	2	BLT, HEX 0.3125-18X0.75 GR5 ZC120
9	05901731	2	BLT, HEX-FLG 0.25-20X0.75 GR5 ZB500
10	06500904	2	NUT, FLG-TOP LK .312-18 GR5 ZCC
11	06800107	3	RVT-POP .187x.375 (#66) BLACK
12	07009000	2	NUT, RTNR .25-20 X .56
13	07400122	4	SCR-TAP .25-20X.50 HWH ZCC
14	07400125	10	SCR-TAP .25-20X.38 HWH ZCC

# FENDERS

Model All

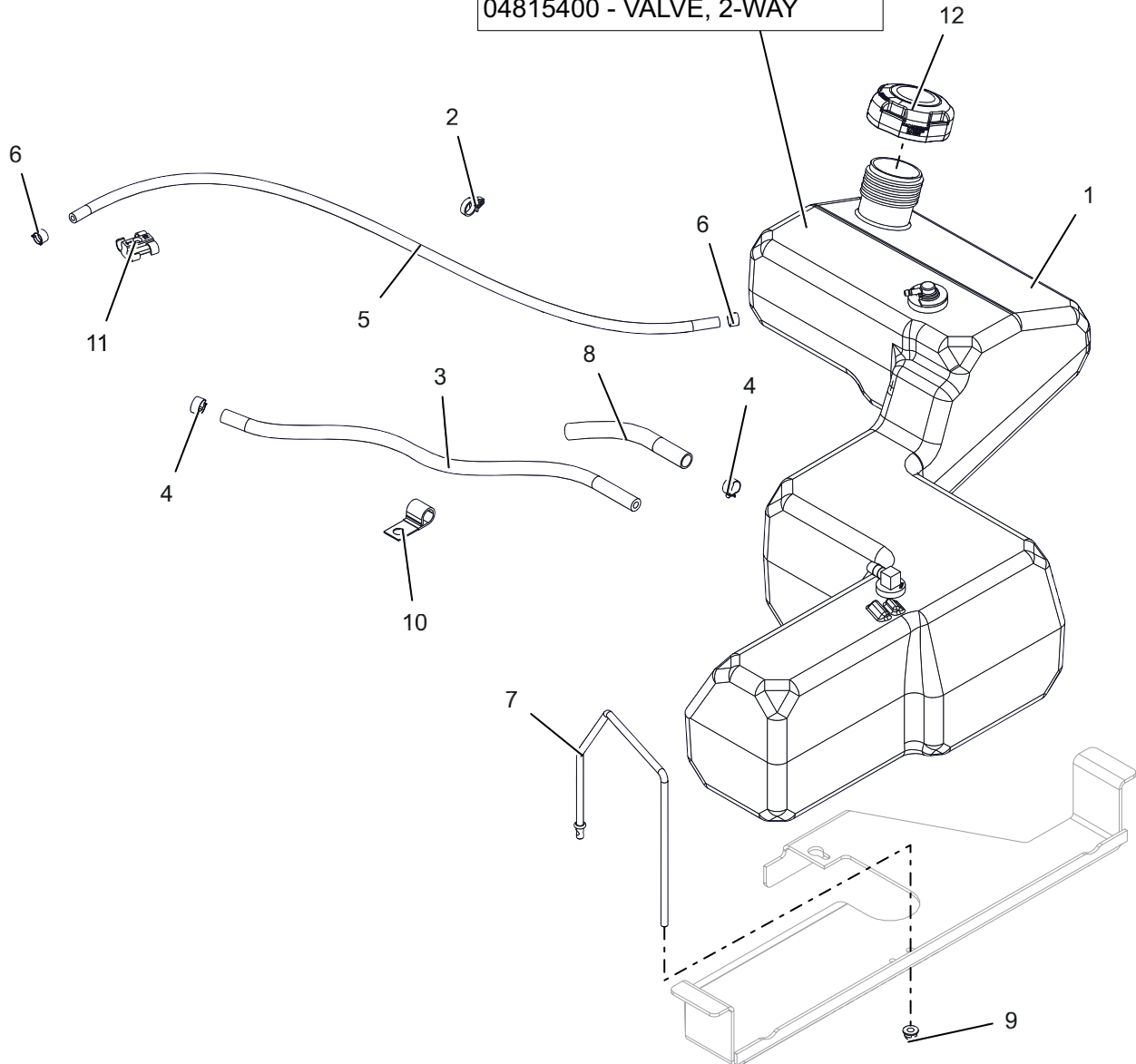


BOM ID	Number	Qty	Description
1	05080959	1	PANEL, LEFT SIDE FENDER MOUNT
2	05089900	1	FENDER, RH IKON
3	05090000	1	FENDER, LH IKON
4	05091800	1	INSERT, CUP/STORAGE HOLDER
5	05110951	1	PLATE, LH BLOCKER (BLACK)
6	05115751	1	PLATE, RH BLOCKER (BLACK)
7	07500402	2	PLUG, HOLE .750-BLACK
8	07400125	4	SCR-TAP .25-20X.38 HWH ZCC
9	07400122	4	SCR-TAP .25-20X.50 HWH ZCC
10	07400119	12	SCR-HEX .312-14X.75 H/L

# FUEL SYSTEM

## Model All

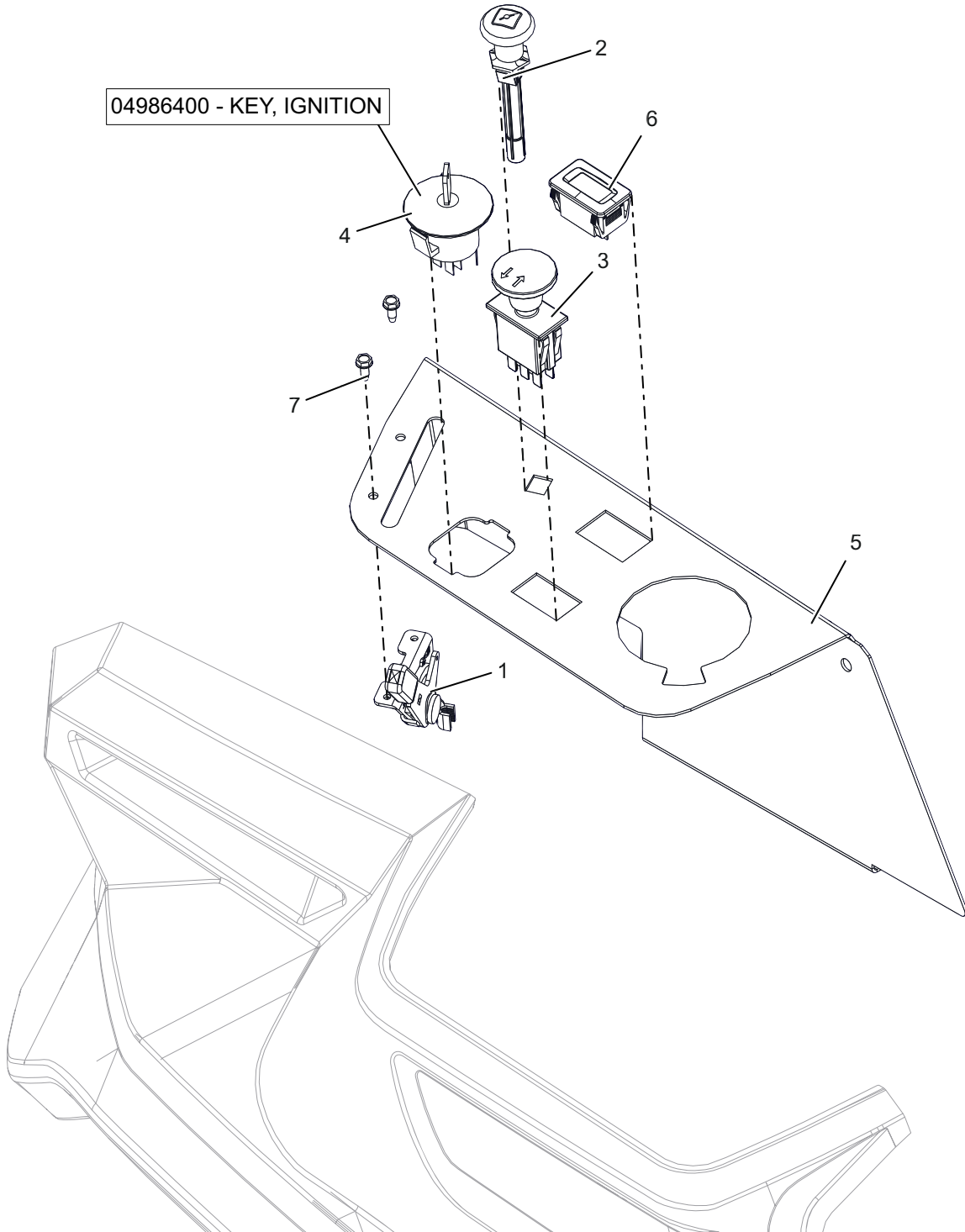
05106200 - ASM, FUEL PICK-UP  
 04815500 - GROMMET, 2-WAY  
 04815400 - VALVE, 2-WAY



BOM ID	Number	Qty	Description
1	09167200	1	ASM, FUEL TANK-IKON
2	00367900	1	CLIP, ROUTING (.50 ID)
3	03278100	1	HOSE, .25 LOW PERM FUEL
4	03278800	2	CLAMP, FUEL LINE
5	03375900	1	HOSE, .188 LOW-PERM GAS -36"LG
6	04097700	2	CLAMP, HOSE SPRING .188
7	05099867	1	BRKT, FUEL TANK (BLACK)
8	05118500	1	SLEEVE, ANTI ABRASION .5" X .064" WALL
9	06500813	1	NUT, LK-NYL-FLG .25-20 GR5 ZC120
10	06916000	1	J-CLAMP
11	07001712	1	CLIP, T, .38-.50
12	09190200	1	CAP, FUEL - 2.25 RATCHET INLET VENT

# CONTROL PANEL

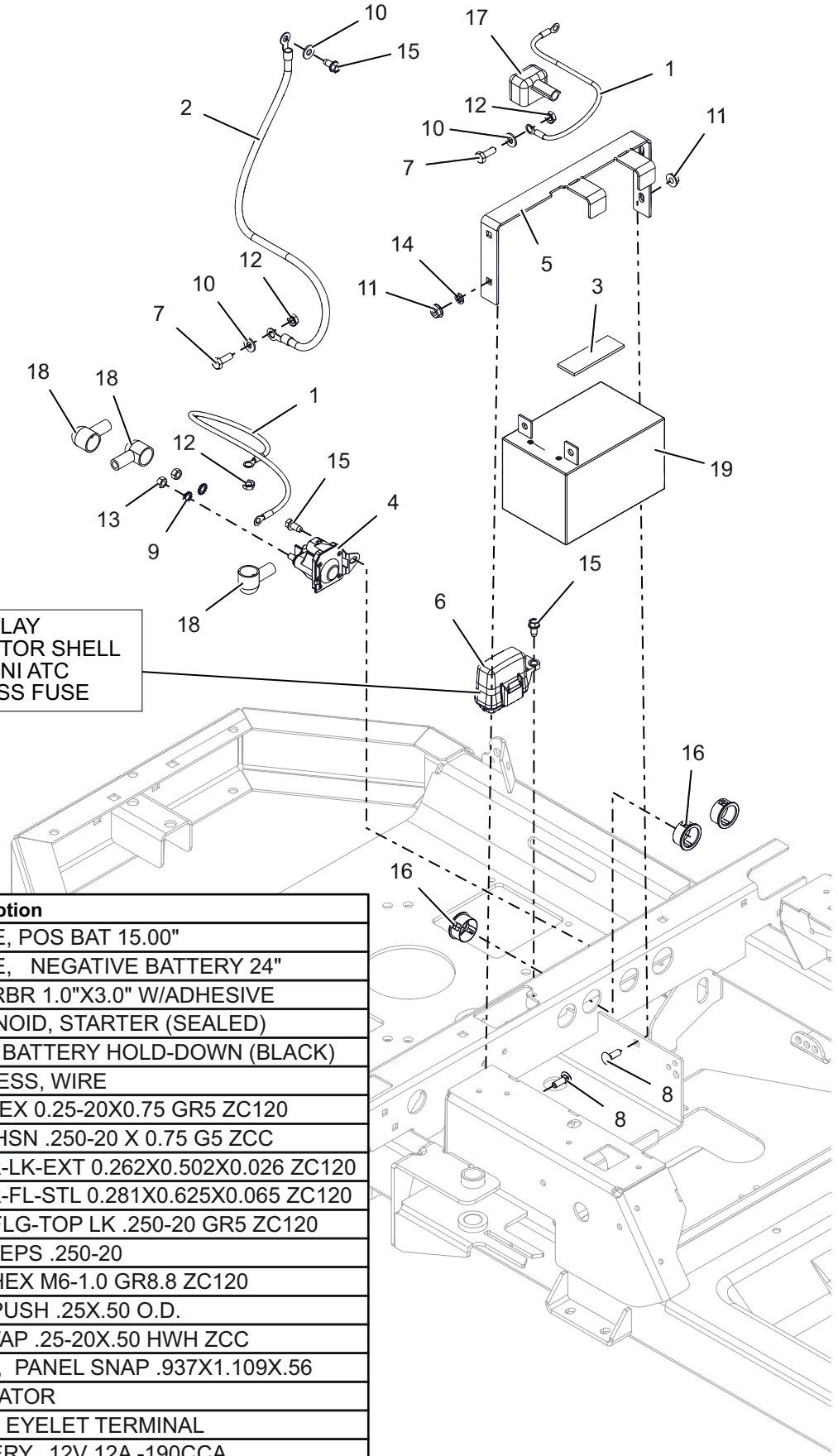
Model All



BOM ID	Number	Qty	Description
1	06900620	1	CABLE, THROTTLE 90DEG 33"
2	06900621	1	CABLE, CHOKE (SNAP IN)
3	04399600	1	SWITCH, CLUTCH YELLOW(W/GRAPHIC)
4	04974300	1	SWITCH, IGNITION -4 POS. SNAP IN
5	05080859	1	PANEL, RIGHT SIDE FENDER MOUNT (ORANGE)
6	05254800	1	HOUR, METER
7	07400130	2	SCR-TAP #10-24X.50 HWH ZCC

# ELECTRICAL

## Model All

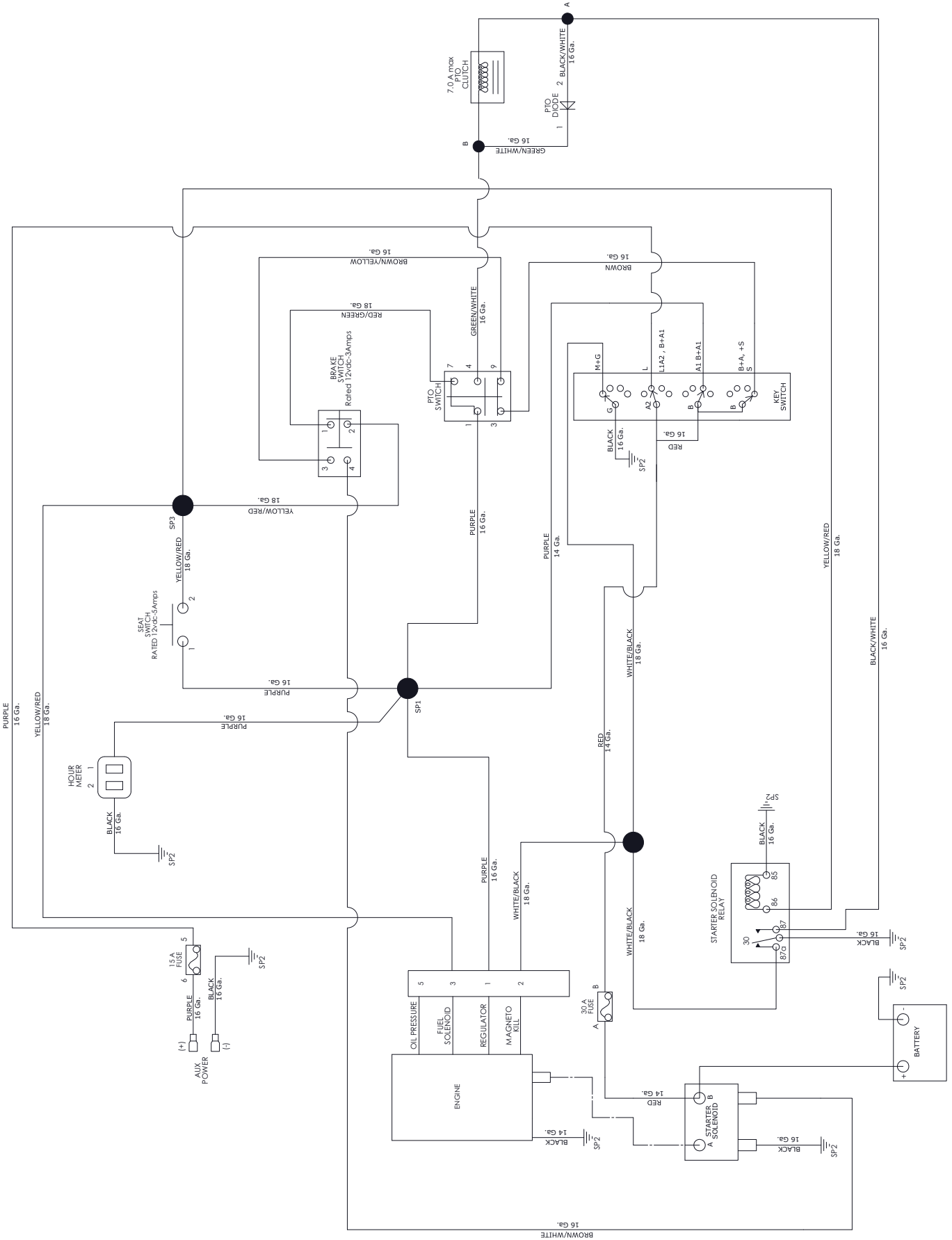


04438400 - 5 PIN MICRO RELAY  
 09293500 - DIODE CONNECTOR SHELL  
 04504100 - FUSE 30 AMP MINI ATC  
 22000203 - COVER, HARNESS FUSE

BOM ID	Number	Qty	Description
1	04787400	2	CABLE, POS BAT 15.00"
2	03288100	1	CABLE, NEGATIVE BATTERY 24"
3	04850000	1	PAD, RBR 1.0"X3.0" W/ADHESIVE
4	05167200	1	SOLENOID, STARTER (SEALED)
5	05266251	1	BRKT, BATTERY HOLD-DOWN (BLACK)
6	05295600	1	HARNESS, WIRE
7	05901716	2	BLT, HEX 0.25-20X0.75 GR5 ZC120
8	06200307	2	BLT,RHSN .250-20 X 0.75 G5 ZCC
9	06300118	2	WSHR-LK-EXT 0.262X0.502X0.026 ZC120
10	06401001	3	WSHR-FL-STL 0.281X0.625X0.065 ZC120
11	06500903	2	NUT, FLG-TOP LK .250-20 GR5 ZC120
12	06500921	3	NUT-KEPS .250-20
13	06500925	2	NUT, HEX M6-1.0 GR8.8 ZC120
14	07027600	1	NUT, PUSH .25X.50 O.D.
15	07400122	3	SCR-TAP .25-20X.50 HWH ZCC
16	07500308	3	BSHG, PANEL SNAP .937X1.109X.56
17	07505700	1	INSULATOR
18	07533200	3	BOOT, EYELET TERMINAL
19	09425500	1	BATTERY, 12V 12A -190CCA

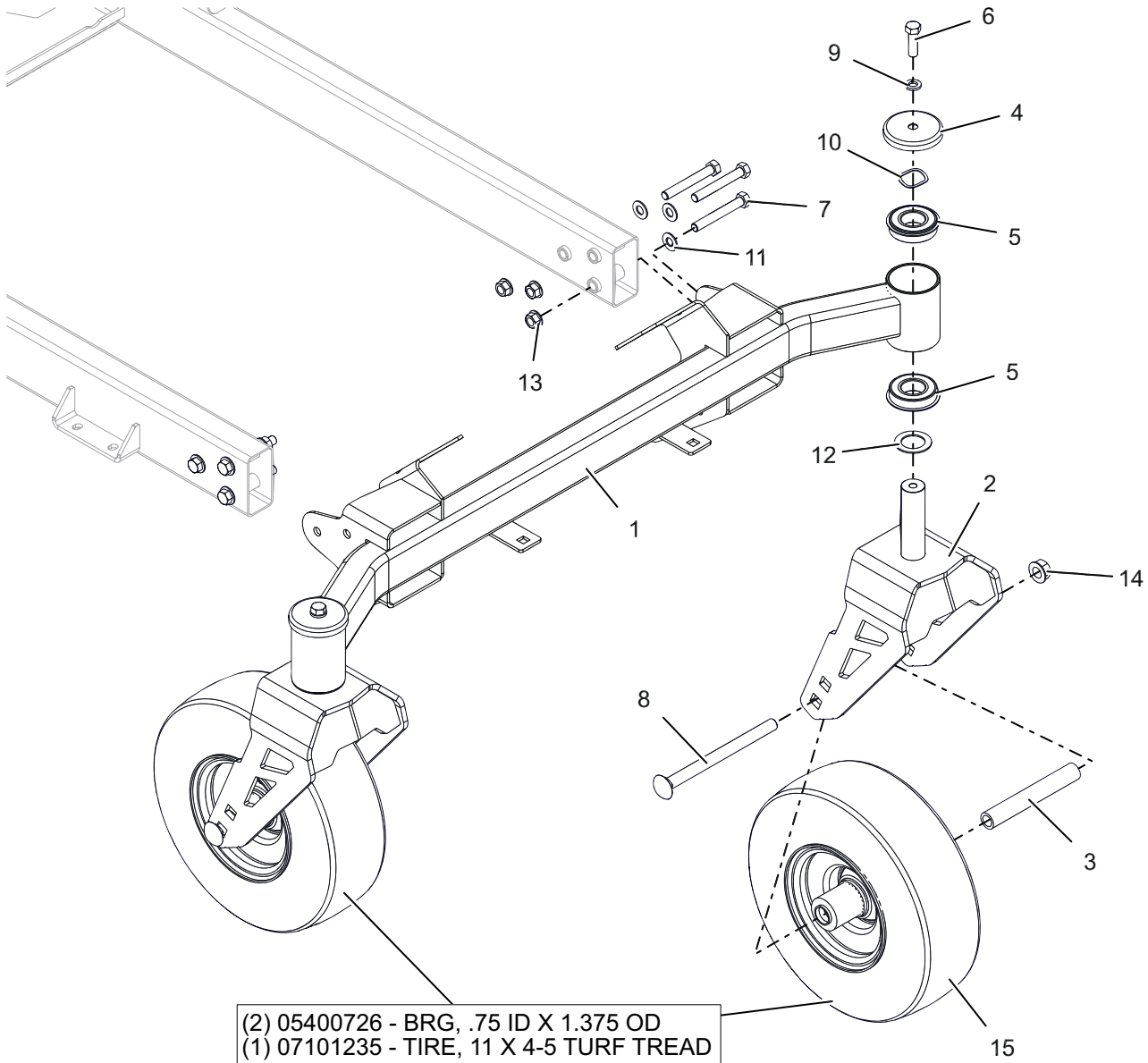
# WIRING DIAGRAM

## Model All



# FRONT CASTER WHEELS

Model All



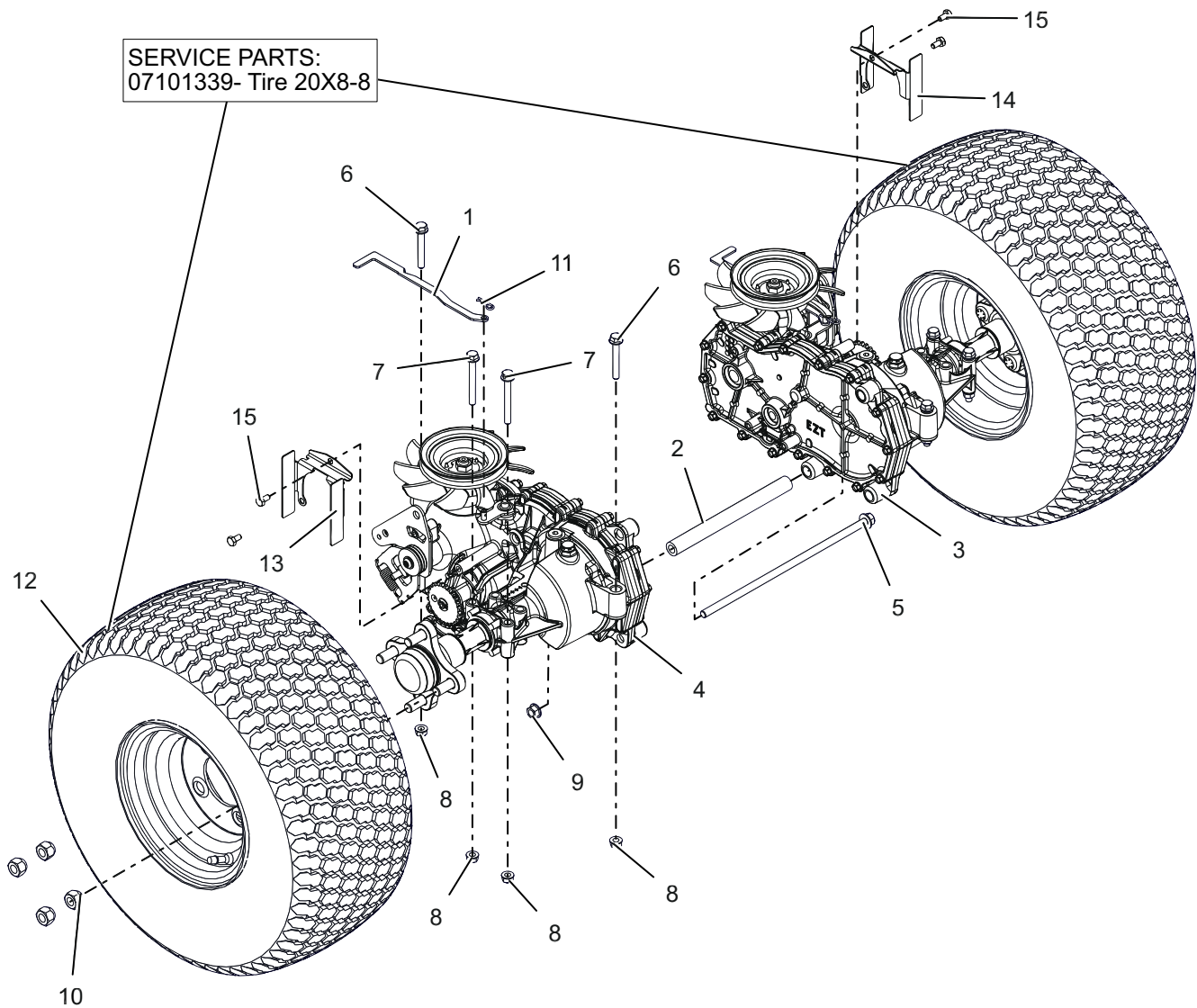
(2) 05400726 - BRG, .75 ID X 1.375 OD  
 (1) 07101235 - TIRE, 11 X 4-5 TURF TREAD

BOM ID	Number	Qty	Description
1	05198159	1	WLDMT, FRONT AXLE-X/XL (ORANGE)
2	05295759	2	WLDMT, CASTER FORK-XD (ORANGE)
3	00278500	2	SPCR, ROLLED WHEEL
4	05198400	2	SHIELD, AXLE BEARING
5	05400728	4	BEARING, BALL -2.000 OD X 1.000 ID X .5625 W/RING
6	05901724	2	BLT, HEX 0.375-16X1.25 GR5 ZC120
7	05901813	6	BLT, HEX 0.375-16X2.75 GR8 ZCC
8	06200319	2	BLT,RHSN .500-13 X 6.5 G5 ZCC
9	06300116	2	WSHR,LK-REG 0.377 X 0.094 ZCC
10	06401030	2	WASHER, WAVE
11	06401129	6	WSHR-FL-STL 0.406X0.812X0.055 HRD
12	06416600	2	WSHR, HRD THRS 1.007X1.542X.062
13	06500905	6	NUT, FLG-TOP LK .375-16 GRG ZC120
14	06500907	2	NUT, FLG-TOP LK .500-13 GF ZCC
15	07101127	2	TIRE/WHEEL, 11 X 4-5



# REAR TIRES AND TRANSAXLES – 42"

Model 915340

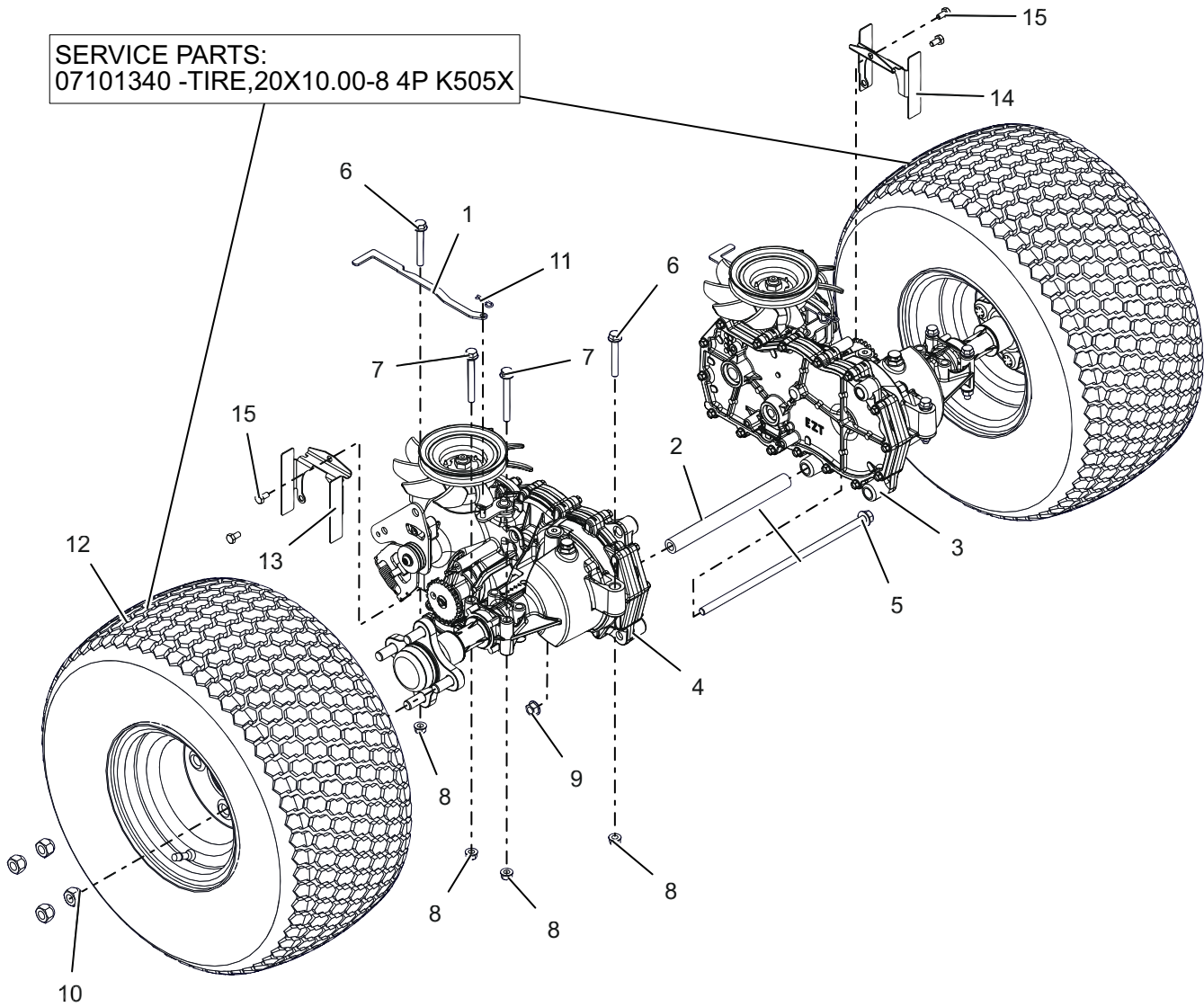


BOM ID	Number	Qty	Description
1	04884151	2	BRKT, VALVE DUMP
2	05162451	1	SPCR, TRANSAXLE .438 ID X .750 OD X 8.18 (BLACK)
3	05291800	1	TRANSAXLE, LH EZT 4BLT
4	05291900	1	TRANSAXLE, RH EZT 4BLT
5	05901902	1	BLT, HEX-FLG 0.375-16X11.5 GR5 ZC120
6	05901910	4	BLT, HEX-FLG 0.312-18X2.25 GR5 ZCC
7	05901911	4	BLT, HEX-FLG 0.312-18X2.75 GR5 ZCC
8	06500840	8	NUT, FLG-CTR LK .312-18 GR5 ZCC
9	06500901	1	NUT, FLG-CTR LK .375-16 GR5 ZC120
10	06500926	8	NUT, WHEEL .500-20 ZCC
11	06700222	2	PIN, HAIR #213 .08X1.19 ZCC
12	07101337	2	ASSM TIRE\WHEEL, 20 X 8 -8
13	05091251	1	GUARD, PARKING ,BREAK RH (BLACK)
14	05092551	1	GUARD, PARKING BRAKE LH (BLACK)
15	05901705	4	BLT, HEX 0.25-20X0.5 GR5 ZC120

# REAR TIRES AND TRANSAXLES – 52"

Model 915341

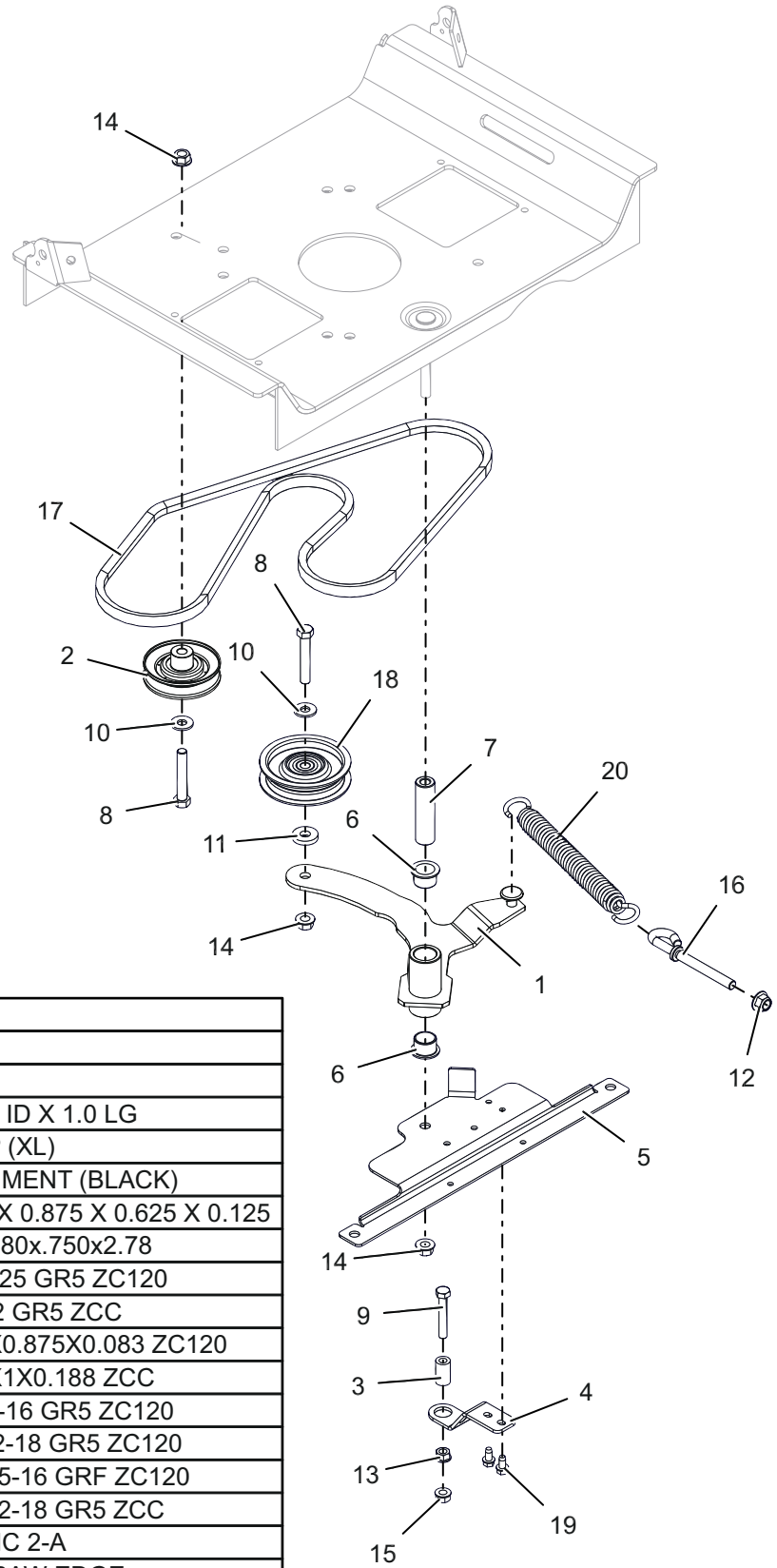
SERVICE PARTS:  
07101340 -TIRE,20X10.00-8 4P K505X



BOM ID	Number	Qty	Description
1	04884151	2	BRKT, VALVE DUMP
2	05162451	1	SPCR, TRANSAXLE .438 ID X .750 OD X 8.18 (BLACK)
3	05291800	1	TRANSAXLE, LH EZT 4BLT
4	05291900	1	TRANSAXLE, RH EZT 4BLT
5	05901902	1	BLT, HEX-FLG 0.375-16X11.5 GR5 ZC120
6	05901910	4	BLT, HEX-FLG 0.312-18X2.25 GR5 ZCC
7	05901911	4	BLT, HEX-FLG 0.312-18X2.75 GR5 ZCC
8	06500840	8	NUT, FLG-CTR LK .312-18 GR5 ZCC
9	06500901	1	NUT, FLG-CTR LK .375-16 GR5 ZC120
10	06500926	8	NUT, WHEEL .500-20 ZCC
11	06700222	2	PIN, HAIR #213 .08X1.19 ZCC
12	07101333	2	ASSM TIRE\WHEEL, 20 X 10 -8
13	05091251	1	GUARD, PARKING ,BREAK RH (BLACK)
14	05092551	1	GUARD, PARKING BRAKE LH (BLACK)
15	05901705	4	BLT, HEX 0.25-20X0.5 GR5 ZC120

# TRANSAXLE DRIVE

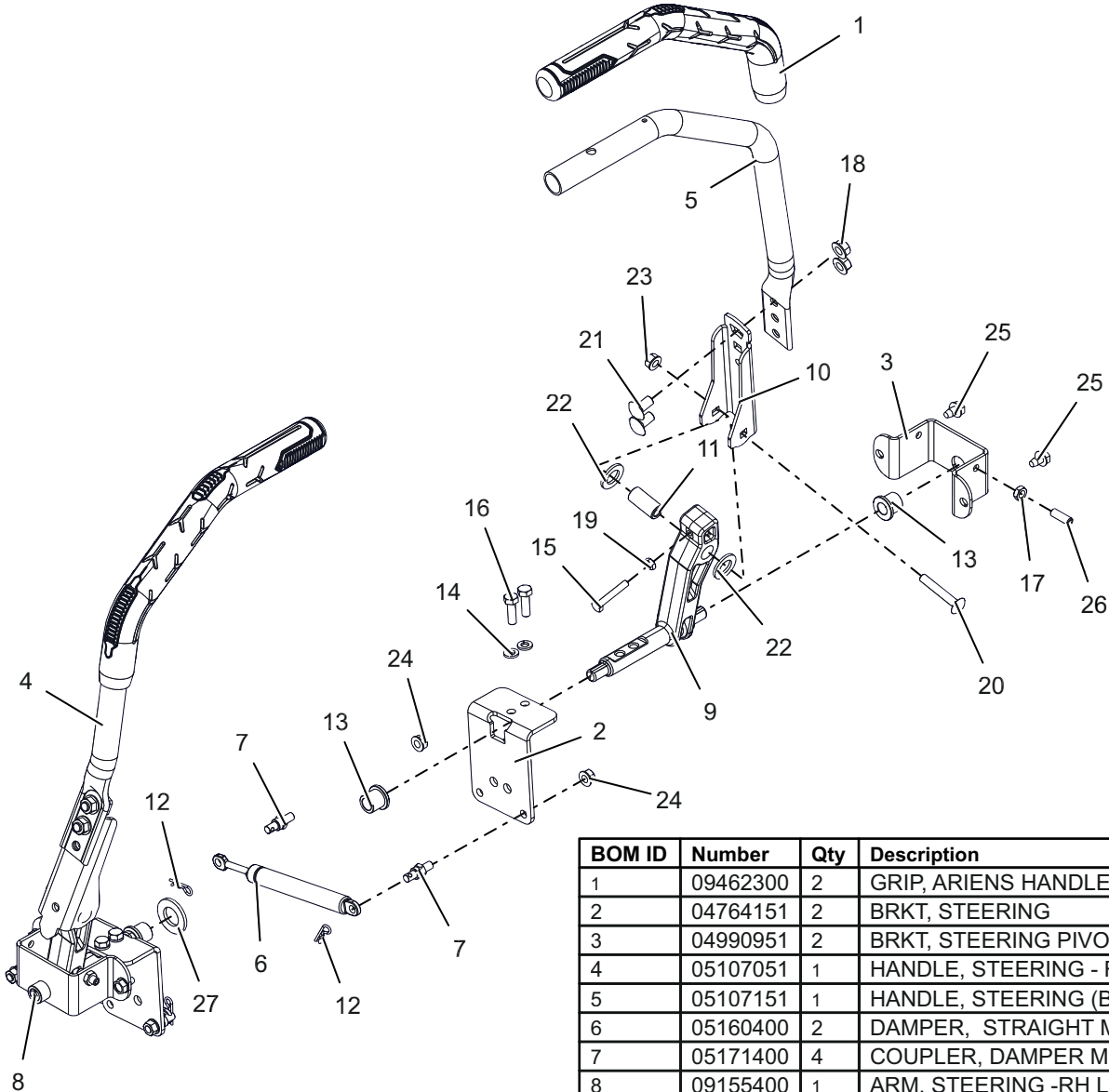
Model All



BOM ID	Number	Qty	Description
1	04890451	1	WLDMT, IDLER
2	07347200	1	ASM, 3.00" V IDLER
3	03980200	1	SPCR, RUBBER 5/16 ID X 1.0 LG
4	04879351	1	BRKT, CLUTCH STOP (XL)
5	05240851	1	BRKT, IDLER ATTACHMENT (BLACK)
6	05500039	2	BSHG, FLANGE 0.75 X 0.875 X 0.625 X 0.125
7	05501237	1	SPACER SLEEVED .380x.750x2.78
8	05901640	2	BLT, HEX 0.375-16X2.25 GR5 ZC120
9	05901805	1	BLT, HEX 0.3125-18X2 GR5 ZCC
10	06401023	2	WSHR-FL-STL 0.375X0.875X0.083 ZC120
11	06401108	1	WSHR-FL-STL 0.406X1X0.188 ZCC
12	06500726	1	NUT, LK-NYL-FLG .38-16 GR5 ZC120
13	06500815	1	NUT, FLG-SPNLK .312-18 GR5 ZC120
14	06500822	3	NUT, FLG-TOP LK .375-16 GRF ZC120
15	06500904	1	NUT, FLG-TOP LK .312-18 GR5 ZCC
16	07002023	1	BOLT, EYE - 38-16 UNC 2-A
17	07200718	1	V-BELT, A SECTION RAW EDGE
18	07349900	1	SHEAVE, IDLER -V .38 x 4.00
19	07400122	2	SCR-TAP .25-20X.50 HWH ZCC
20	08300728	1	SPRG, EXTENSION - SWIVEL

# CONTROLS

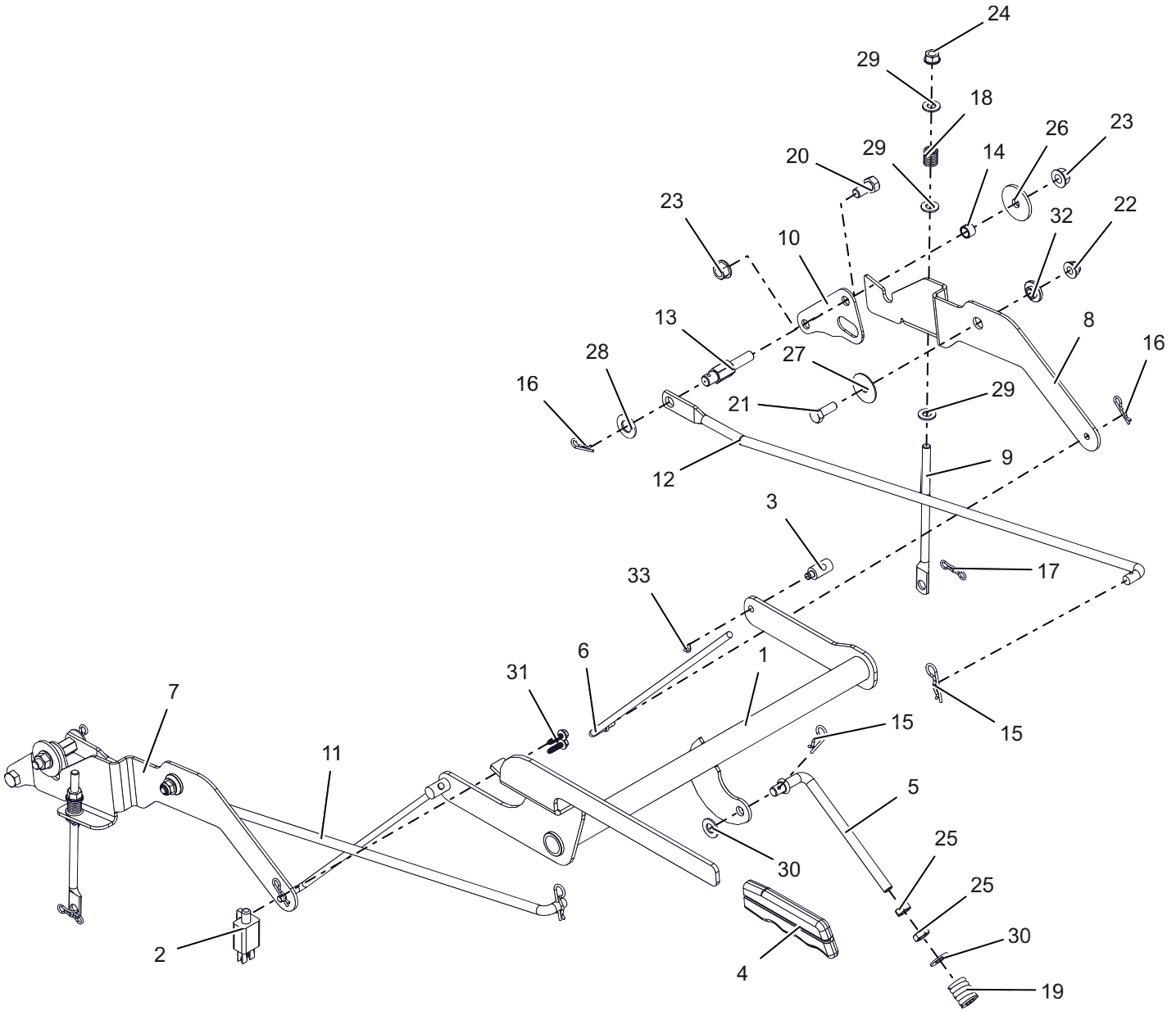
## Model All



BOM ID	Number	Qty	Description
1	09462300	2	GRIP, ARIENS HANDLEBAR
2	04764151	2	BRKT, STEERING
3	04990951	2	BRKT, STEERING PIVOT (BLACK)
4	05107051	1	HANDLE, STEERING - RH (BLACK)
5	05107151	1	HANDLE, STEERING (BLACK)
6	05160400	2	DAMPER, STRAIGHT MOUNT
7	05171400	4	COUPLER, DAMPER MOUNT
8	09155400	1	ARM, STEERING -RH LOWER (MACHINED)
9	09155500	1	ARM, STEERING -LH LOWER (MACHINED)
10	05179651	2	ARM, CONTROL -UPPER RH (BLACK)
11	05501334	2	BSHG-SLV .342 X .627 X 1.331
12	06700222	4	PIN, HAIR #213 .08X1.19 ZCC
13	05501001	4	BUSHING FLANGE
14	06300119	4	WSHR,LK-REG 0.314 X 0.078 ZCC
15	05902030	2	BLT, HEX 0.25-20X1.5F GR5 ZCC
16	05901802	4	BLT, HEX 0.3125-18X1 GR8 ZCC
17	06500909	2	NUT, JAM .312-18 GR5 ZCC
18	06500905	4	NUT, FLG-TOP LK .375-16 GRG ZC120
19	06500908	2	NUT, JAM .250-20 G2 ZCC
20	06200431	2	BTL,RHSSN .313-18 X 2 G5 ZCC
21	06200432	4	BTL,RHSSN .375-16 X 0.75 G5 FPB
22	06401130	4	WSHR, FRICTION
23	06500840	2	NUT, FLG-CTR LK .312-18 GR5 ZCC
24	06500904	4	NUT, FLG-TOP LK .312-18 GR5 ZCC
25	07400124	4	SCR-TAP .312-18X.50 HWH ZCC
26	06100240	2	SCR-SET, .312-18X1.000
27	06401140	1	WSHR-FL-STL 0.812X1.469X0.134 ZCC

# PARKING BRAKE

Model All

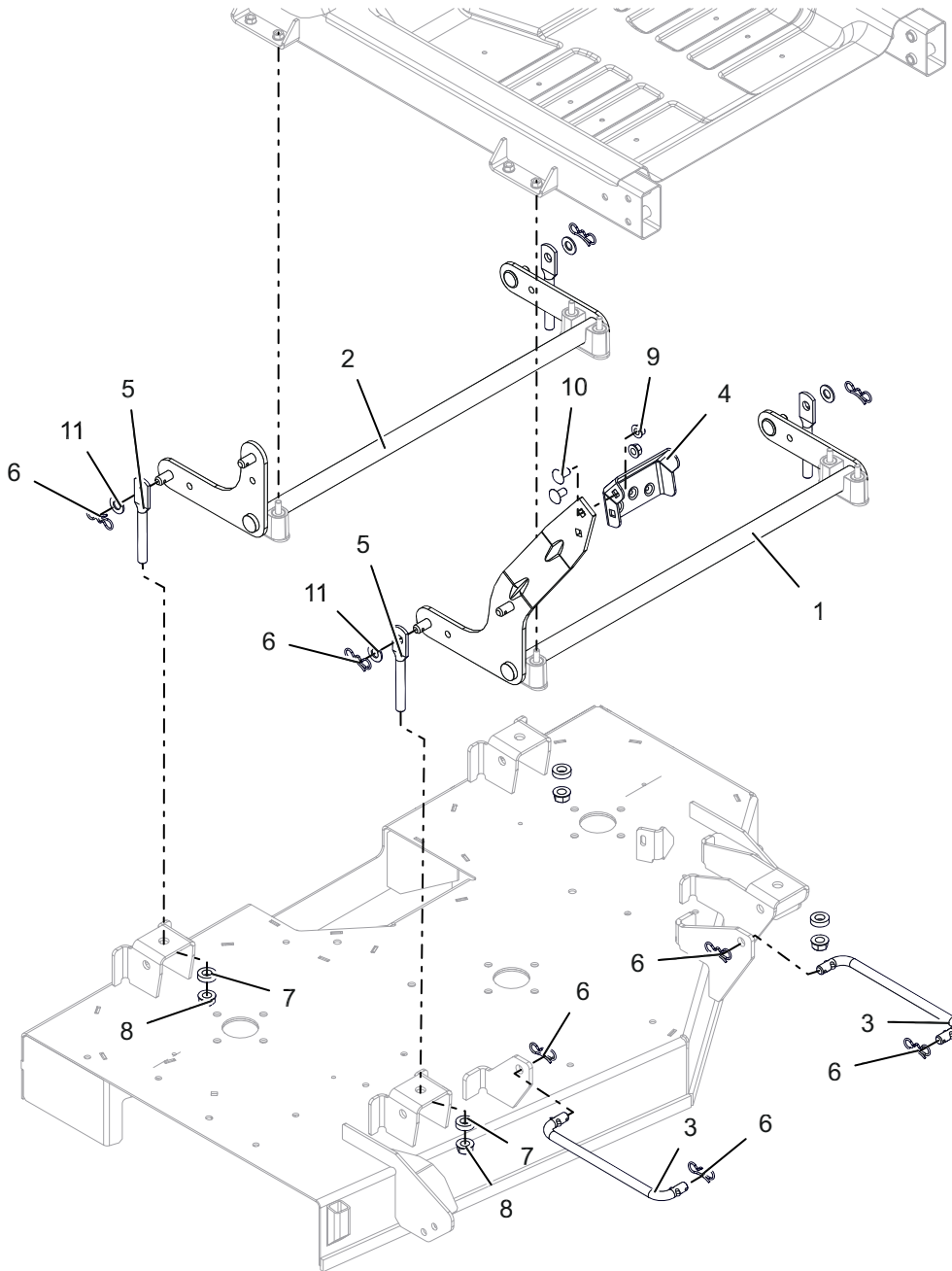


BOM ID	Number	Qty	Description
1	04787851	1	WLDMT, BRAKE LEVER (BLACK)
2	03606600	1	SWITCH- DOUBLE POLE N.O./N.O.
3	03764800	2	TRUNNION, 1/4-20
4	05097200	1	GRIP, PARKING BRAKE, GREY
5	04787900	1	LINK, OVER CENTER BRAKE
6	04788000	2	LINK, BRAKE ARM
7	04788100	1	INTERLOCK, RH BRAKE LINK
8	04790400	1	INTERLOCK, LH BRAKE LINK
9	04790600	2	LINK, BRAKE COG
10	04799351	2	PLATE, TRANSAXLE ADAPTOR
11	05245600	1	LINKAGE, STEERING - RH
12	05245700	1	LINKAGE, STEERING - LH
13	05245800	2	STUD, STEERING LINK MOUNTING
14	05501235	2	SPCR, .385X.500X.350
15	06700219	3	PIN, HAIR .09 X 1.50 ZCC
16	06700222	4	PIN, HAIR #213 .08X1.19 ZCC
17	06700229	2	PIN, BOWTIE #72 ZCC

BOM ID	Number	Qty	Description
18	08300028	2	SPRG, COMPRESSION
19	08320900	1	SPRG, COMPRESSION
20	05901702	2	BLT, HEX 0.375-16X0.75 GR5 ZC120
21	05901801	2	BLT, HEX 0.3125-18X0.875 GR5 ZCC
22	06500809	2	NUT, LK-NYL-FLG .31-18 GR5 ZC120
23	06500901	4	NUT, FLG-CTR LK .375-16 GR5 ZC120
24	06500840	2	NUT, FLG-CTR LK .312-18 GR5 ZCC
25	06500910	2	NUT-JAM .375-16 GR2 ZCC
26	06401106	2	WSHR-FL-STL 0.38X1.5X0.125 ZCC
27	06401105	2	WSHR-FL-STL 0.347X1.254X0.048 ZCC
28	06401112	2	WSHR-FL-STL 0.505X1X0.062 ZCC
29	06401017	6	WSHR-FL-STL 0.344X0.688X0.065 ZC120
30	06401013	2	WSHR-FL-STL 0.406X0.812X0.065 ZC120
31	06100232	2	SCR, PLASTITE-HWH 0.2 X 0.75 ZC120
32	01305900	2	SPACER FLANGED
33	05700125	2	RING, RETAINING-E .25X.025

# DECK LIFT

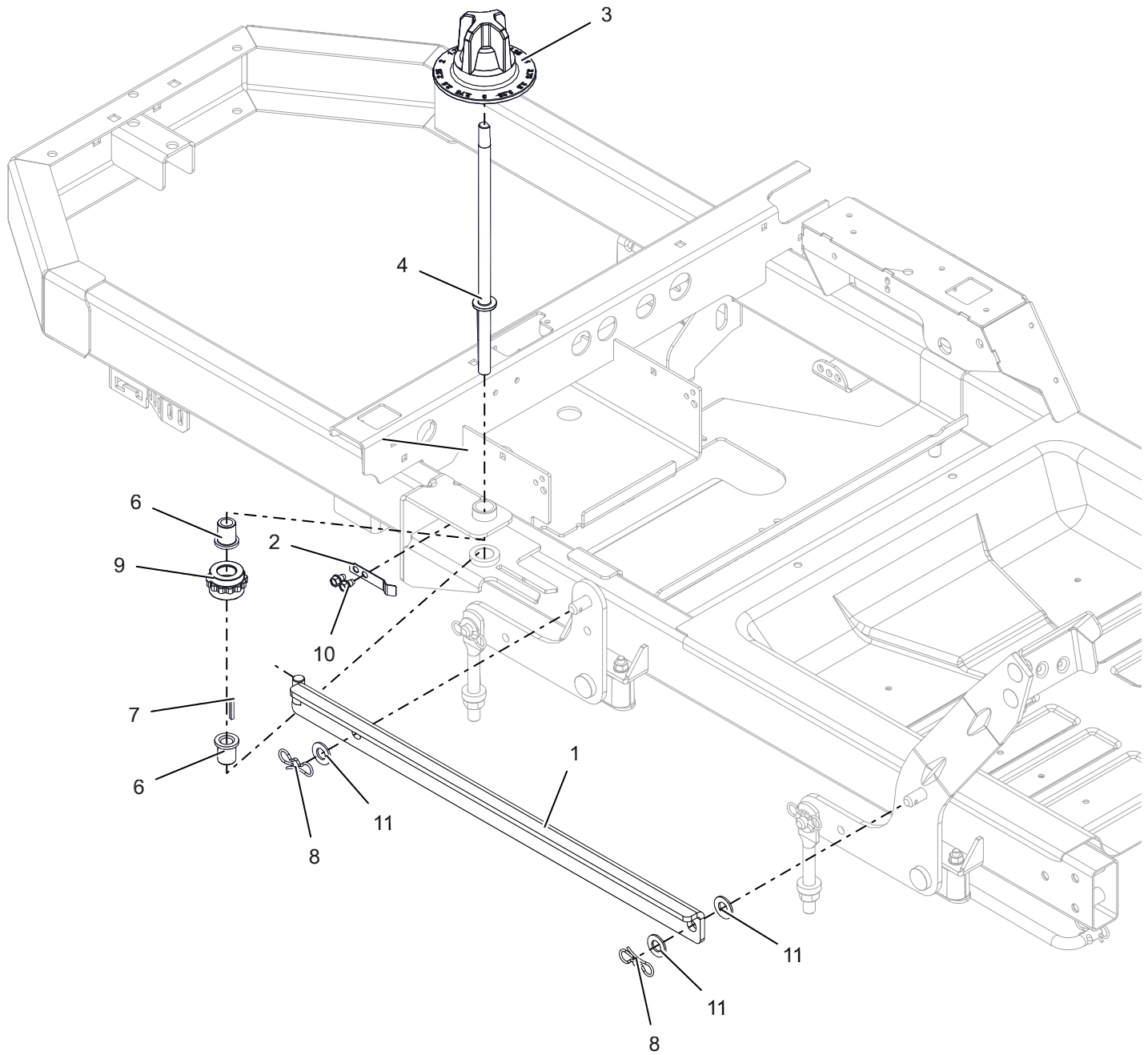
## Model All



BOM ID	Number	Qty	Description
1	05246059	1	WLDMT, FRONT DECK LIFT PIVOT (ORANGE)
2	05246159	1	WLDMT, REAR DECK LIFT PIVOT (ORANGE)
3	02004500	2	LINK, DRAG
4	04869259	1	PEDAL, DECK LIFT (BOLT ON) (ORANGE)
5	05113900	4	LINK, DECK (HOLE-LONG)
6	06700220	8	PIN, BOWTIE LOCKING .091X1.875 ZCC
7	07500417	4	WSHR, RUBBER
8	06500902	4	NUT, FLG-CTR LK .500-13 GF ZCC
9	06500901	2	NUT, FLG-CTR LK .375-16 GR5 ZC120
10	06200432	2	BTL,RHSSN .375-16 X 0.75 G5 FPB
11	06443300	4	WSHR-FL-NYL .518X1.00X.08

# HEIGHT OF CUT

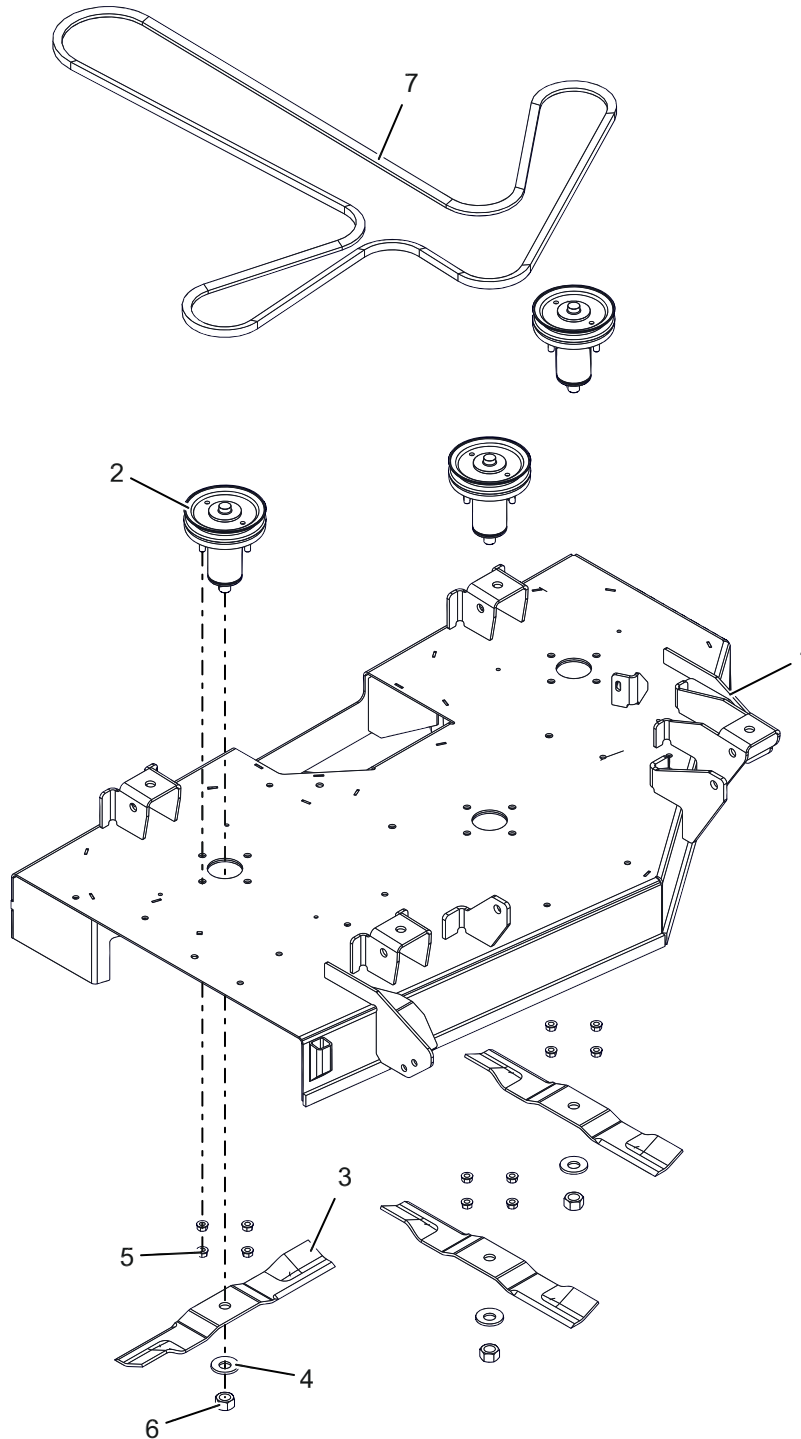
Model All



BOM ID	Number	Qty	Description
1	04741759	1	WLDMT, HOC LINK (ORANGE)
2	04742100	1	ARM, HOC DETENT
3	05091700	1	KNOB, HOC DIAL
4	09361500	1	SHAFT, CAM
6	05501218	2	BUSHING, FLANGE .503X.75X.875X1.0
7	06600211	1	KEY, 1/8 X 1/8 X 1.0 REV
8	06700220	2	PIN, BOWTIE LOCKING .091X1.875 ZCC
9	07500422	1	GEAR, HOC INDEX
10	07400125	2	SCR-TAP .25-20X.38 HWH ZCC
11	06443300	3	WSHR-FL-NYL .518X1.00X.08

# DECK, BELT, BLADES AND SPINDLES – 42"

Model 915340

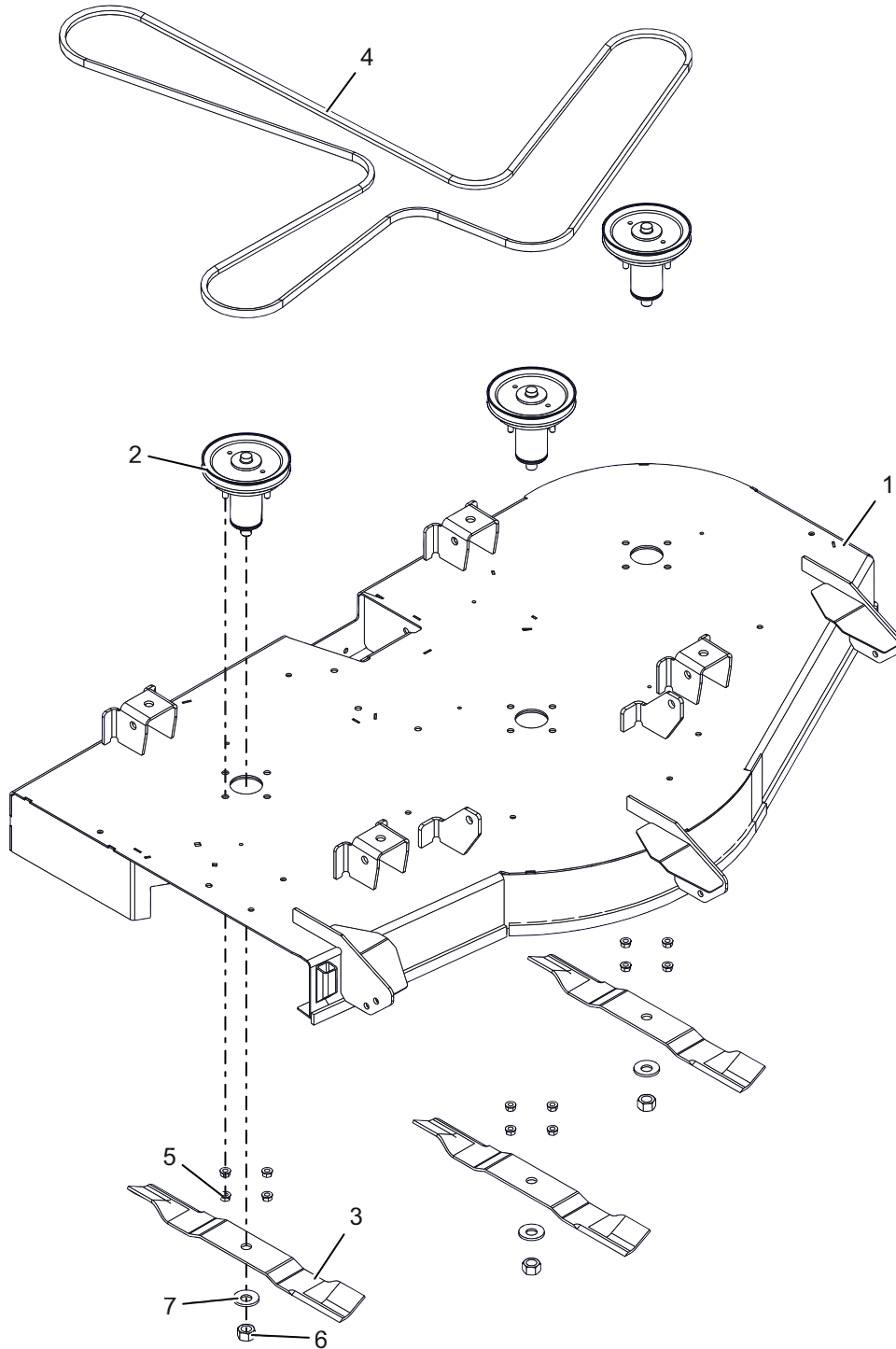


BOM ID	Number	Qty	Description
1	51532100	1	WLDMT, DECK 42" (ORANGE)
2	51537000	3	ASM, ALUM SPINDLE 4.75" DIA.
3	04769800	3	BLADE, MOWER
4	06445700	3	WSHR, BLVL-.63X1.625X.14
5	06500840	12	NUT, FLG-CTR LK .312-18 GR5 ZCC
6	06500920	3	NUT, HEX .625-18 ZCC
7	07200523	1	V-Belt, HA-WRAPPED CLUTCHING (NO RUBBER BLEED THRU)



# DECK, BELT, BLADES AND SPINDLES – 52"

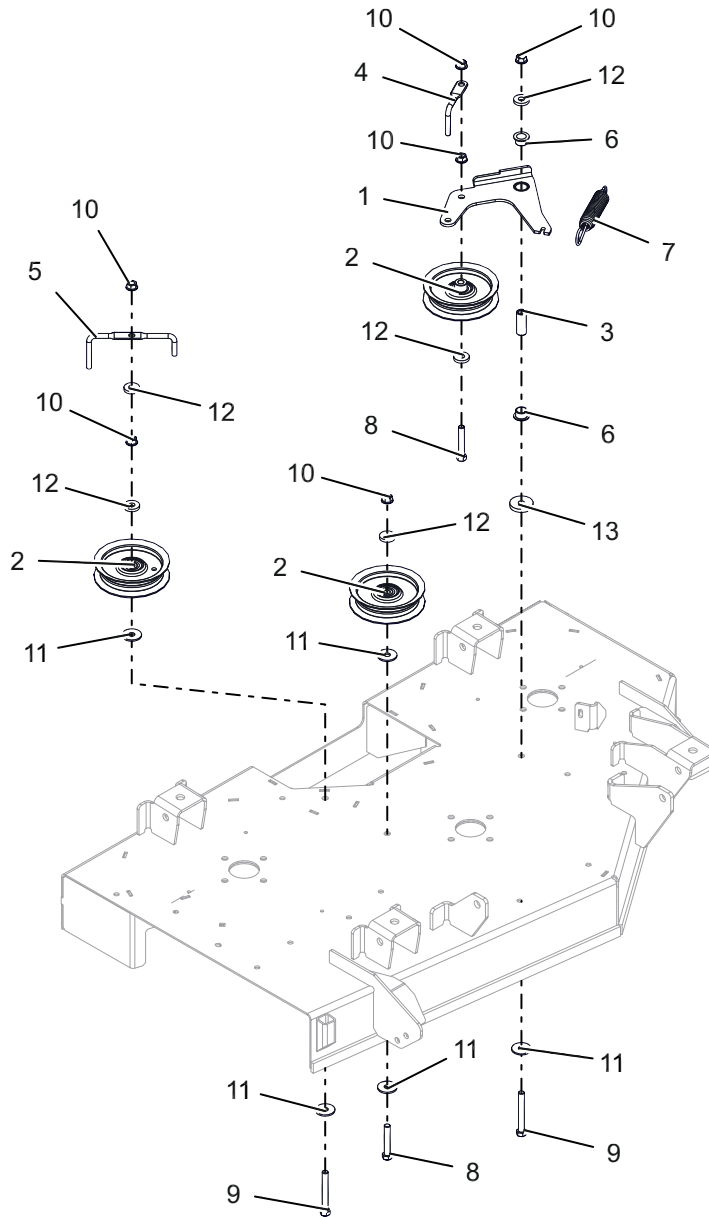
Model 915341



BOM ID	Number	Qty	Description
1	51532300	1	KIT, ARIENS DECK 52" WITH DECALS
2	51537200	3	ASM, ALUM SPINDLE 4.75" DIA.
3	04771200	3	BLADE, 18" - 20 DEG .5 OFFSET
4	07200023	1	V-BELT, HA-WRAPPED
5	06500840	12	NUT, FLG-CTR LK .312-18 GR5 ZCC
6	06500920	3	NUT, HEX .625-18 ZCC
7	06445700	3	WSHR, BLVL-.63X1.625X.14

# IDLERS AND SHEAVES – 42"

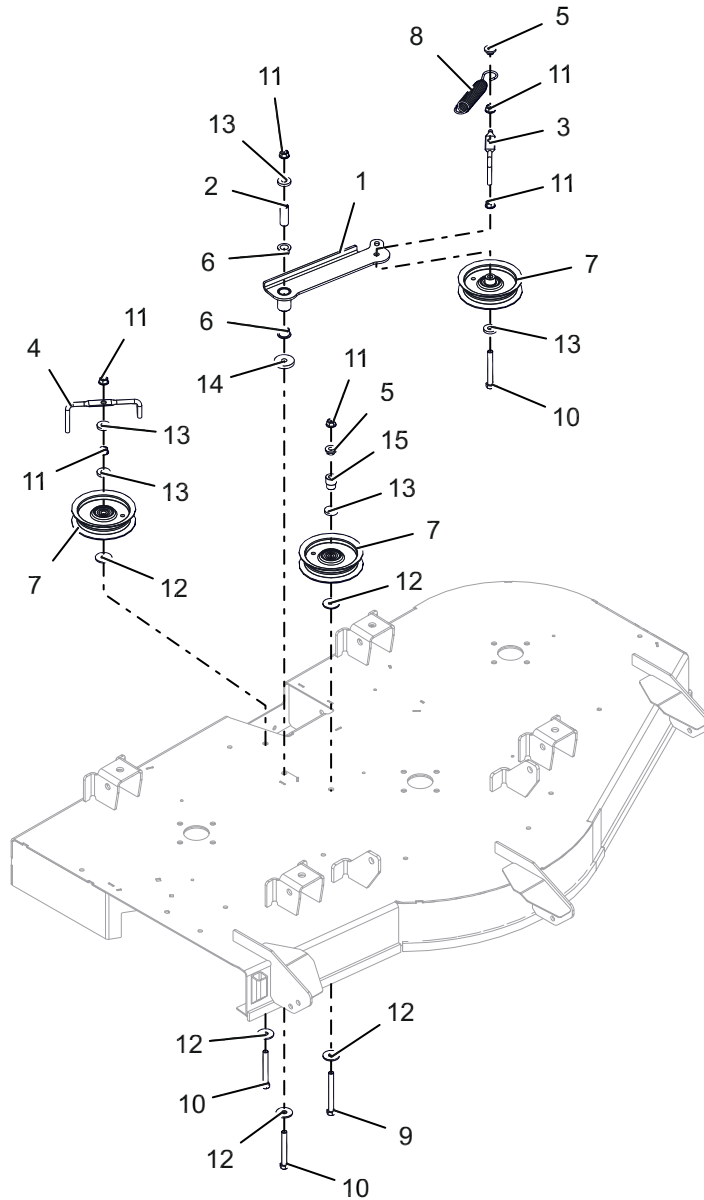
Model 915340



BOM ID	Number	Qty	Description
1	04773359	1	WLDMT, IDLER ARM (ORANGE)
2	07350100	3	IDLER, FLAT - 4.06" X .75"
3	03763400	1	SPACER SLEEVED .375IDX.625ODX1.66 PM
4	03828800	1	WIREFORM, BELT FINGER
5	03974100	1	FINGER, BELT
6	05500907	2	BSHG, FLANGE .625 x .75 x .50 x 1.00
7	08320300	1	SPRG, EXTENSION - .125 X .975 X 6.000
8	05901640	2	BLT, HEX 0.375-16X2.25 GR5 ZC120
9	05901815	2	BLT, HEX 0.375-16X3F GR5 ZCC
10	06500901	6	NUT, FLG-CTR LK .375-16 GR5 ZC120
11	06401021	5	WSHR-FL-STL 0.406X1.25X0.1 ZCC
12	06401108	5	WSHR-FL-STL 0.406X1X0.188 ZCC
13	06401110	1	WSHR-FL-STL 0.406X1.5X0.245 ZCC

# IDLERS AND SHEAVES – 52"

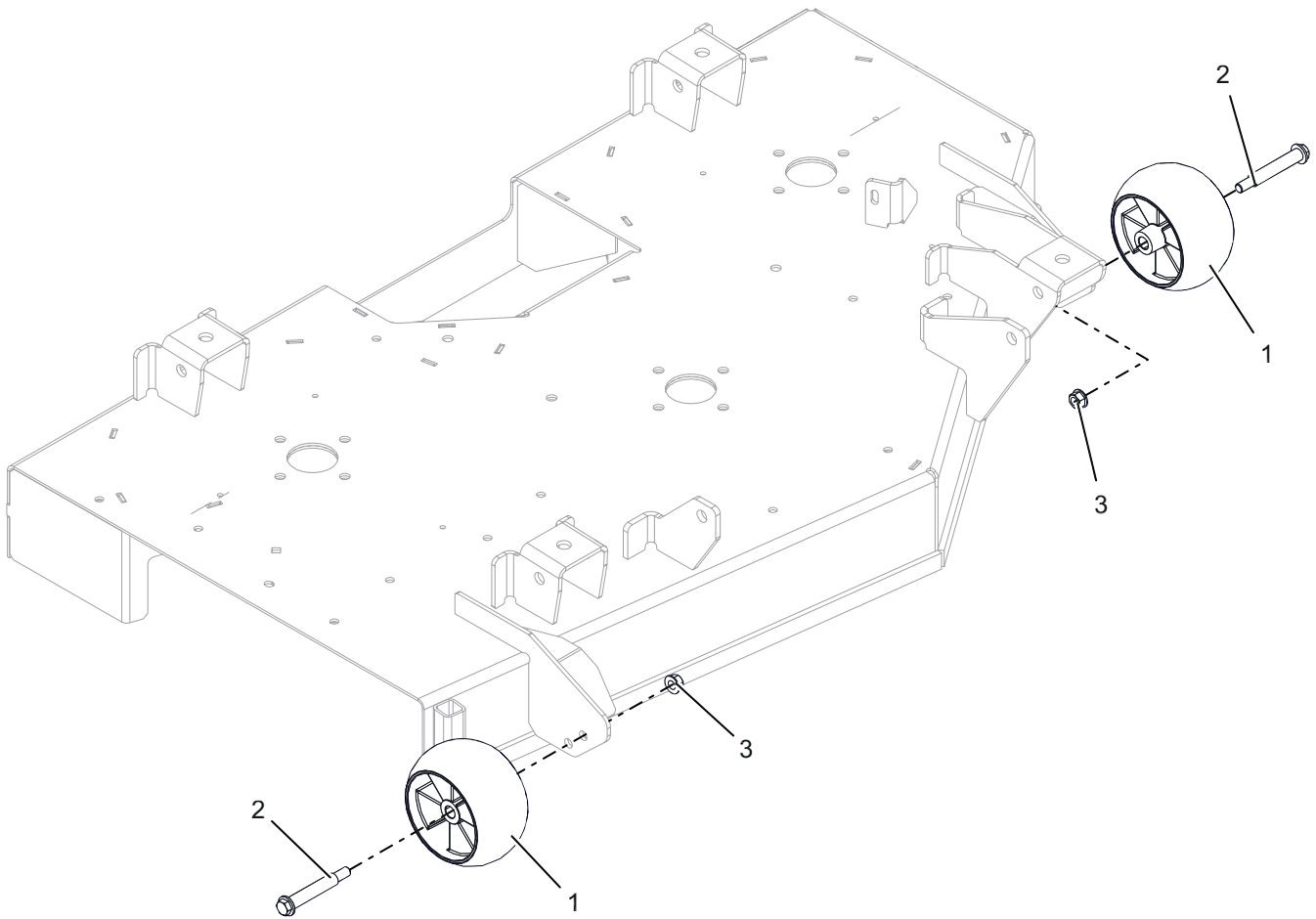
Model 915341



BOM ID	Number	Qty	Description
1	04795659	1	WLDMT, IDLER - 52" IDLER ARM (ORANGE)
2	03763400	1	SPACER SLEEVED .375IDX.625ODX1.66 PM
3	03856800	1	WIREFORM, BELT FINGER
4	03974100	1	FINGER, BELT
5	05500435	2	BUSHING FLANGED FLG .385 X .500 X .875 X .406
6	05500907	2	BSHG, FLANGE .625 x .75 x .50 x 1.00
7	07350100	3	IDLER, FLAT - 4.06" X .75"
8	08320300	1	SPRG, EXTENSION - .125 X .975 X 6.000
9	05901818	1	BLT, HEX 0.375-16X3.5 GR5 ZCC
10	05901815	3	BLT, HEX 0.375-16X3F GR5 ZCC
11	06500901	6	NUT, FLG-CTR LK .375-16 GR5 ZC120
12	06401021	5	WSHR-FL-STL 0.406X1.25X0.1 ZCC
13	06401108	5	WSHR-FL-STL 0.406X1X0.188 ZCC
14	06401110	1	WSHR-FL-STL 0.406X1.5X0.245 ZCC
15	00679300	1	BUSHING IDLER (P/M)

# ANTI-SCALP WHEELS – 42"

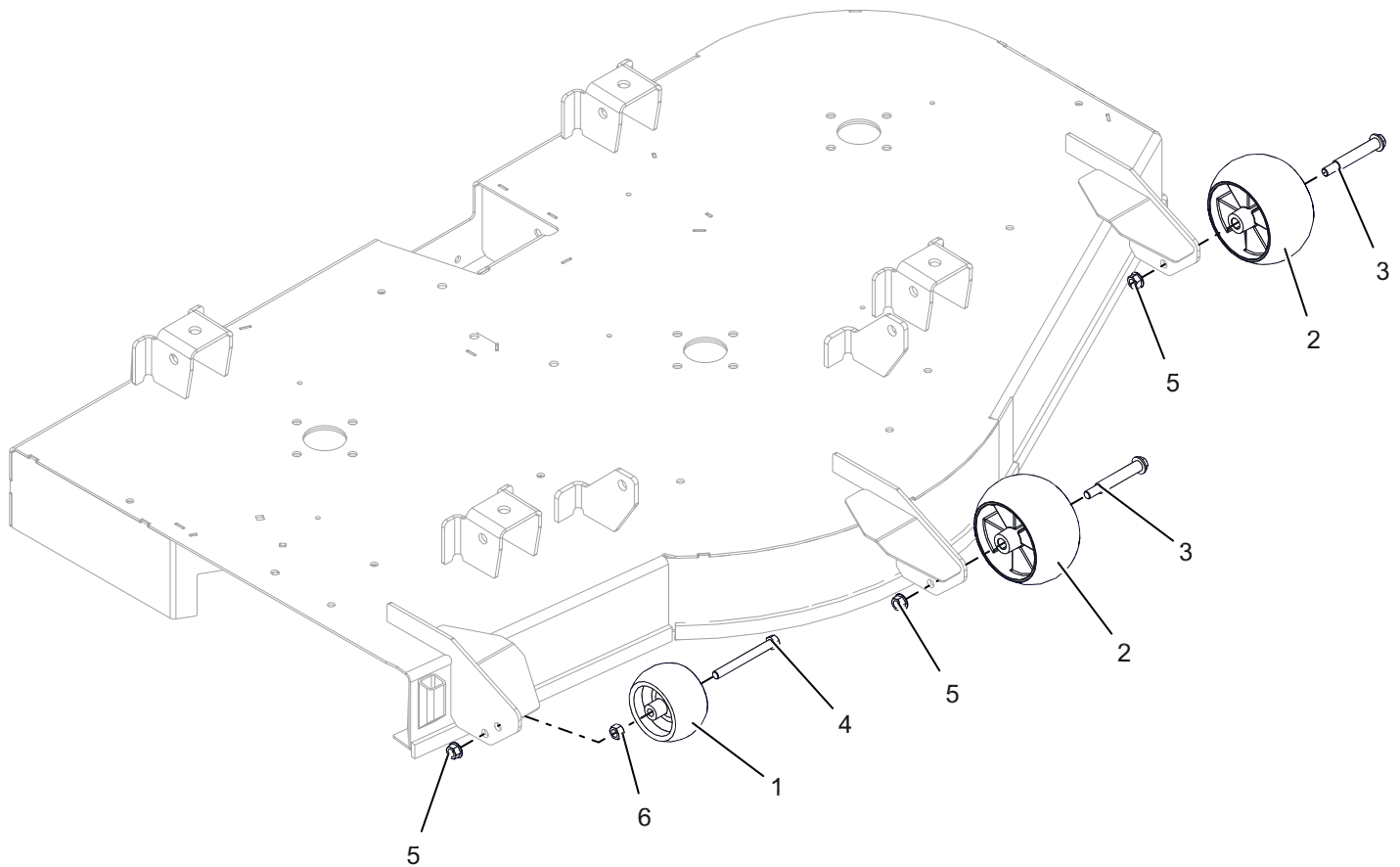
Model 915340



BOM ID	Number	Qty	Description
1	03905600	2	WHEEL, ANTI SCALP - 5XOS
2	07056800	2	BLT-SHLDR .38-16X2.50 HWH G5 ZCC
3	06500901	2	NUT, FLG-CTR LK .375-16 GR5 ZC120

# ANTI-SCALP WHEELS – 52"

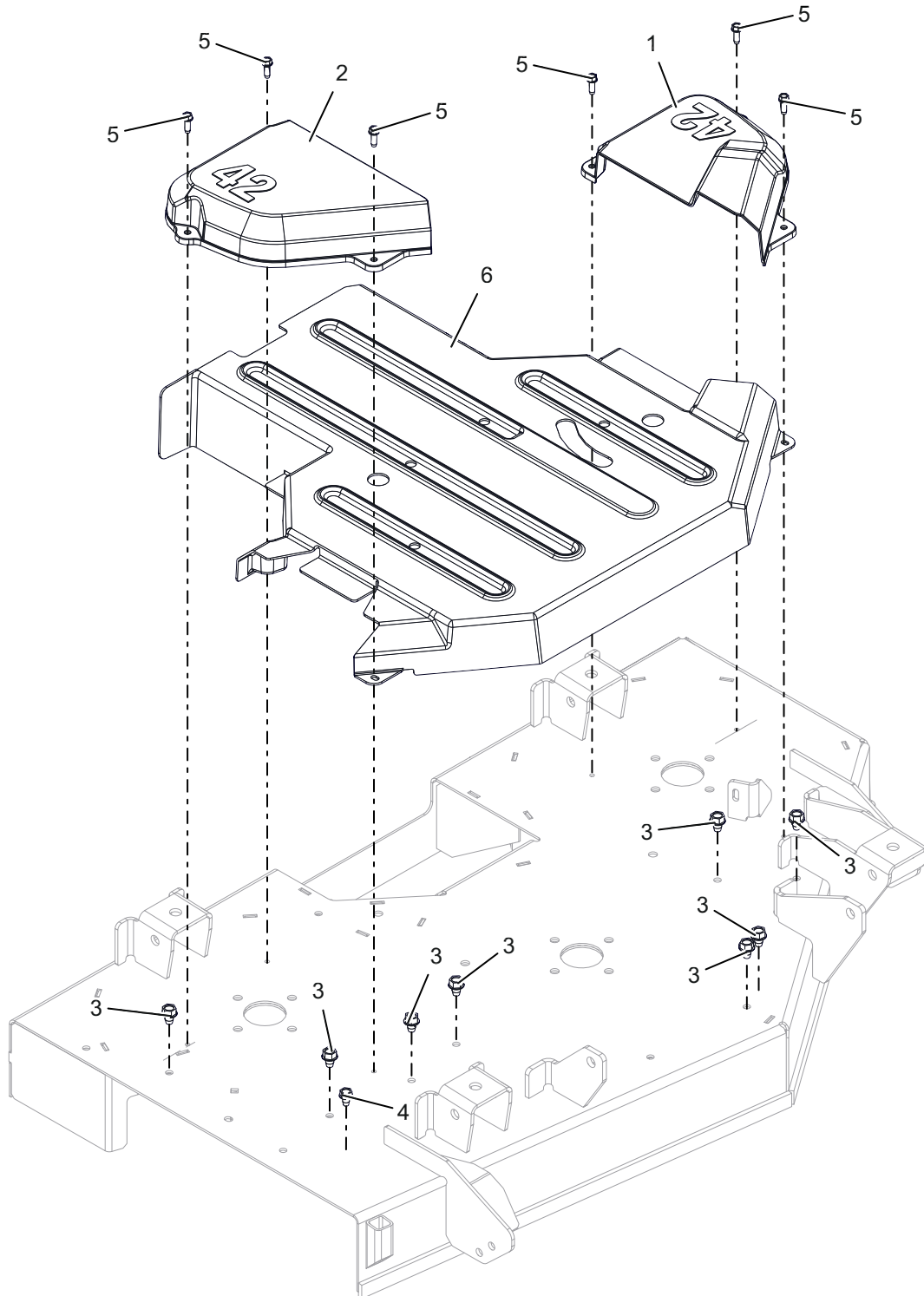
Model 915341



BOM ID	Number	Qty	Description
1	02745400	1	ROLLER,
2	03905600	2	WHEEL, ANTI SCALP - 5XOS
3	07056800	2	BLT-SHLDR .38-16X2.50 HWH G5 ZCC
4	05901818	1	BLT, HEX 0.375-16X3.5 GR5 ZCC
5	06500901	3	NUT, FLG-CTR LK .375-16 GR5 ZC120
6	06500917	1	NUT, STD .375-16 GR2 ZCC

# BELT COVERS AND DECK GUARD – 42"

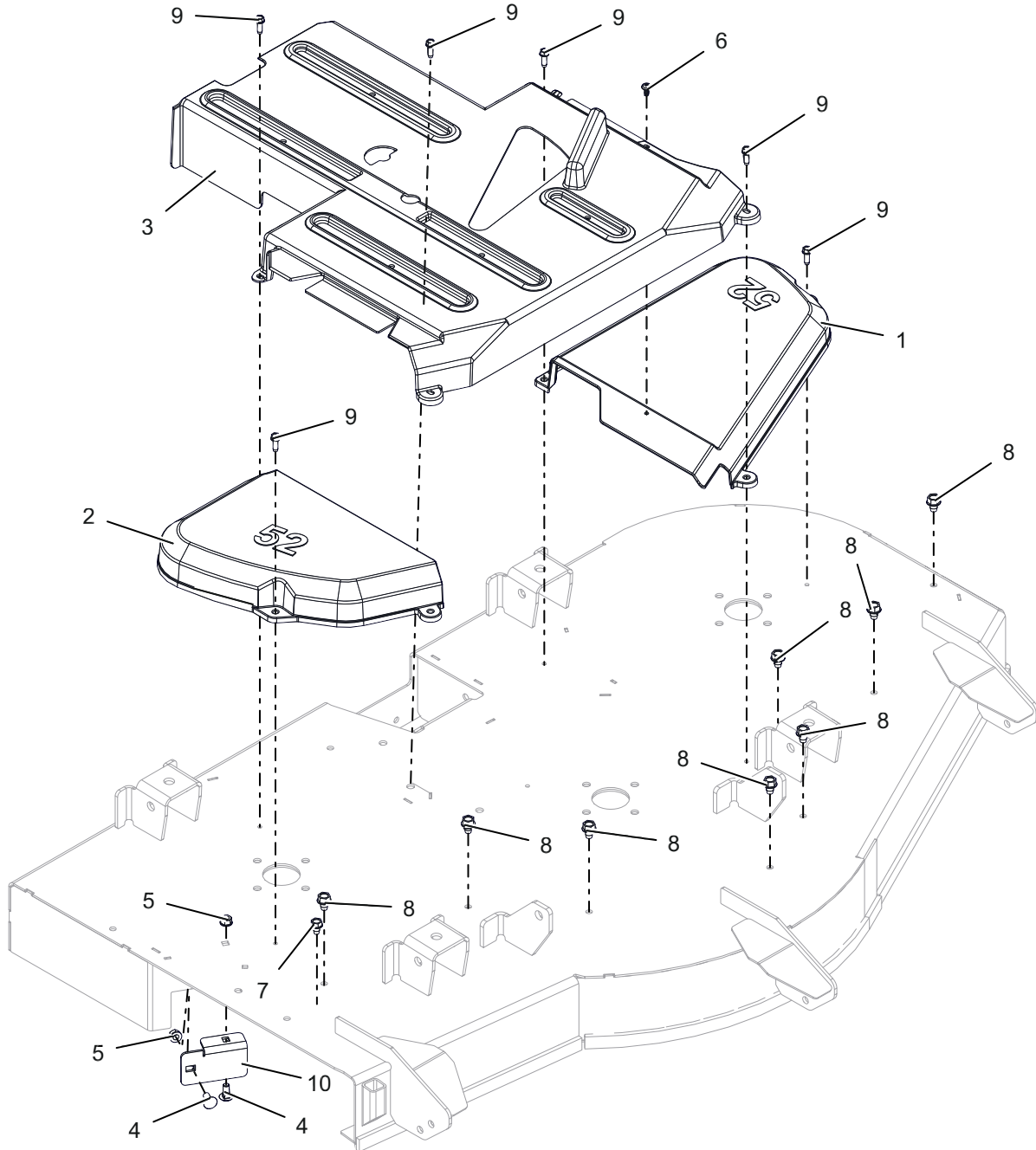
Model 915340



BOM ID	Number	Qty	Description
1	04789100	1	COVER, BELT 42" LEFT
2	04789200	1	COVER, BELT 42" RIGHT
3	07400126	8	SCR-TAP .38-16X.500 HWH ZCC
4	07400124	1	SCR-TAP .312-18X.50 HWH ZCC
5	07400131	6	SCR-TAP .25-20X.750 HWH ZCC
6	05159500	1	GUARD, CENTER DECK

# BELT COVERS AND DECK GUARD – 52"

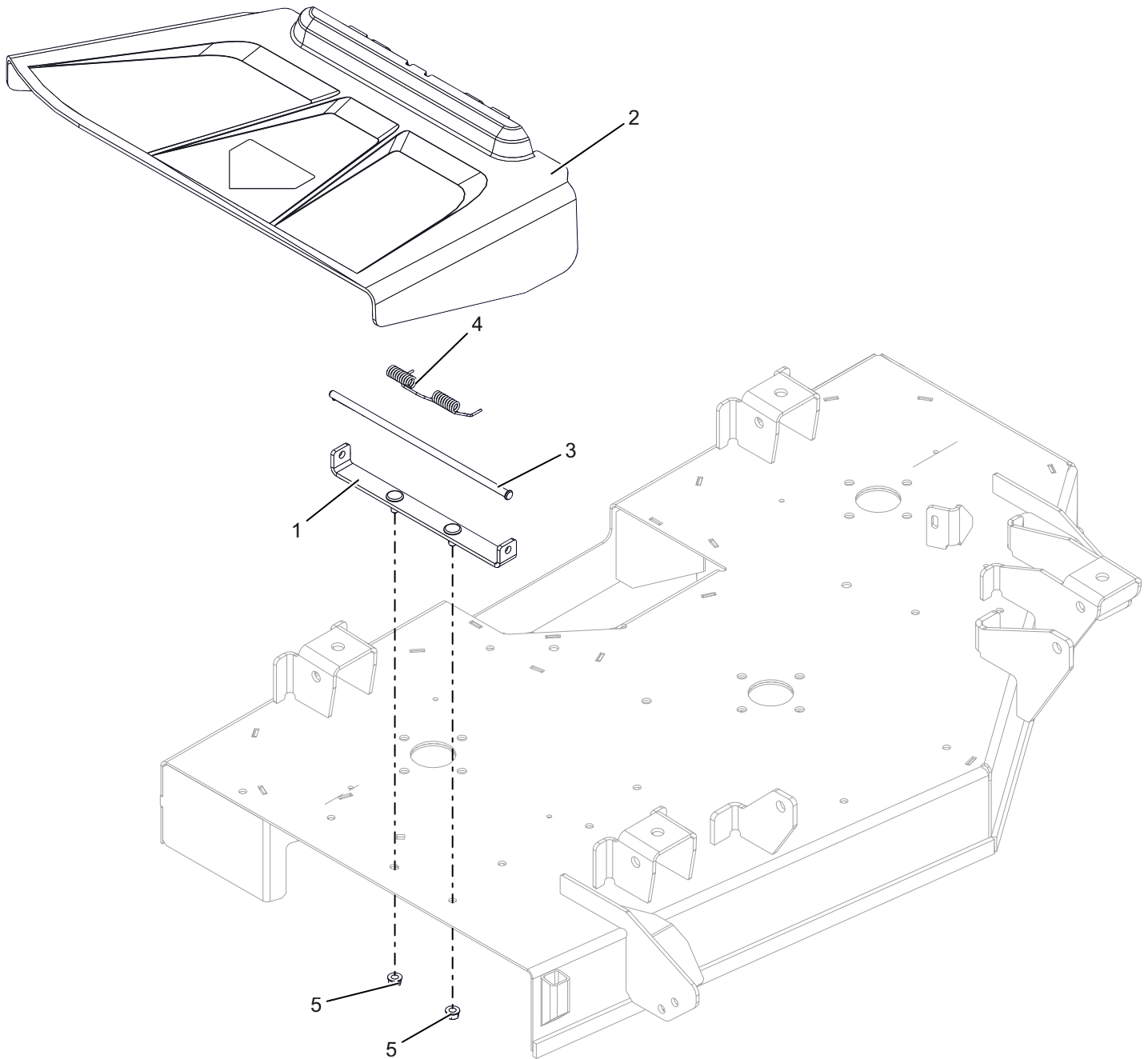
Model 915341



BOM ID	Number	Qty	Description
1	04792900	1	COVER, BELT 52" LH
2	04793300	1	COVER, BELT 52" RIGHT
3	05157500	1	GUARD, CENTER DECK
4	06200232	2	BTL,RHSN .313-18 X 0.75 G5 ZCC
5	06500904	2	NUT, FLG-TOP LK .312-18 GR5 ZCC
6	07400123	1	SCR-TAP .25-15X.50 PLASTITE BLZC
7	07400124	1	SCR-TAP .312-18X.50 HWH ZCC
8	07400126	8	SCR-TAP .38-16X.500 HWH ZCC
9	07400131	6	SCR-TAP .25-20X.750 HWH ZCC
10	04771659	1	STRIP, DEFLECTOR 52"

# DISCHARGE CHUTE

Model All



BOM ID	Number	Qty	Description
1	04799800	1	WLDMT, CHUTE MOUNTING BRACKET
2	04795000	1	CHUTE, SIDE DISCHARGE
3	06800205	1	PIN, SLIC-.312X10.45
4	08300621	1	SPRG, TORSION .35 ID (CHUTE)
5	06500904	2	NUT, FLG-TOP LK .312-18 GR5 ZCC



# NOTES

---



**ARIENS**

655 West Ryan Street  
Brillion, WI 54110

[ariensco.com](http://ariensco.com)



**ARIENS** | CO